



# SWIVELS & SPARES

MINERAL EXPLORATION  
ENVIRONMENTAL  
GEOTECHNICAL  
GEOTHERMAL  
ROTARY  
SONIC  
HDD



[www.holeproducts.com](http://www.holeproducts.com)

# SWIVELS & SPARES TABLE OF CONTENTS

**SWIVELS OVERVIEW ..... 2**

**CORING SWIVELS .....3-5**

- Universal ..... 4
- Compact Plus ..... 5

**TOP FEED SWIVELS .....7-9**

- 1J Top Feed Swivel ..... 8
- 2J Top Feed Swivel ..... 9

**SIDE FEED SWIVELS .....10-13**

- H26 Swivel ..... 11
- 6RG Swivel ..... 12
- 12RG Swivel ..... 13

**REVERSE CIRCULATION & OTHER SWIVEL OPTIONS..... 14**



## SWIVELS



Hole Products offers a complete range of quality coring, and top and side feed water swivels. Air swivels are also available for reverse circulation drilling applications.

Swivels are designed to provide a watertight/airtight rotating joint to connect the pump to the drill string with a high pressure hose. Various swivels are suitable for use with a variety of flushing mediums including water, air, foam, or bentonite drilling fluids. All Hole Products' swivels are field serviceable with minimal tooling and downtime.

Subs are available to adapt to all industry standard sized rods and casing.

Swivels shown are representative of the most common industry sizes and styles. Additional swivels are available on request.

Please contact your Hole Products representative for assistance selecting the swivel best suited for your drilling needs and availability of additional swivels.

*Products listed in the catalog are representative of the most common industry sizes and styles. Please contact your Hole Products representative for additional product offerings.*

## CORING SWIVELS



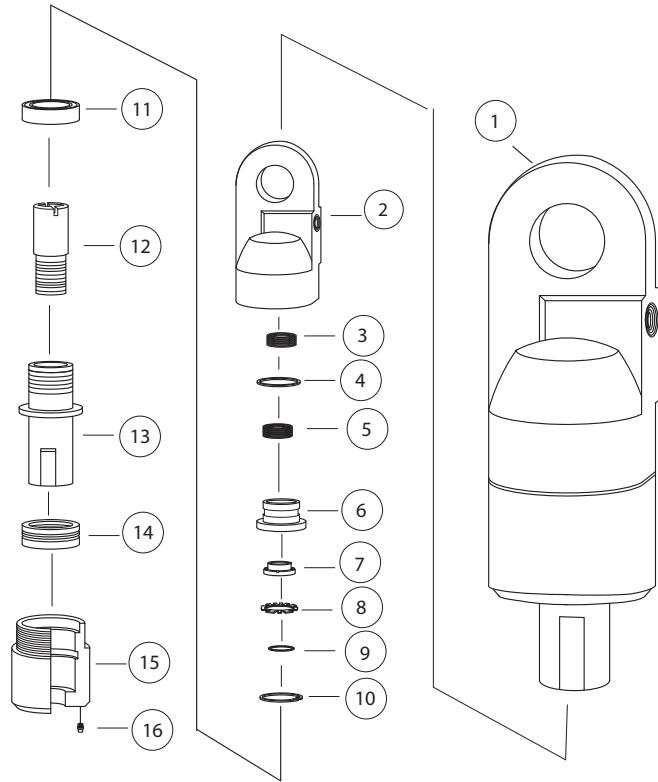
Hole Products offers quality compact plus and universal high speed coring swivels. Coring swivels provide a watertight rotating joint to help pump pressurized water to the bottom of the borehole. All swivels are suitable for use with various flushing mediums and are field serviceable.

In addition, we offer a complete line of replacement parts for quick and easy field repairs.

Subs are available to adapt to all DCDMA sized rods and casing.

Please contact your Hole Products representative for assistance selecting the swivel best suited for your drilling needs and availability of additional coring swivels.

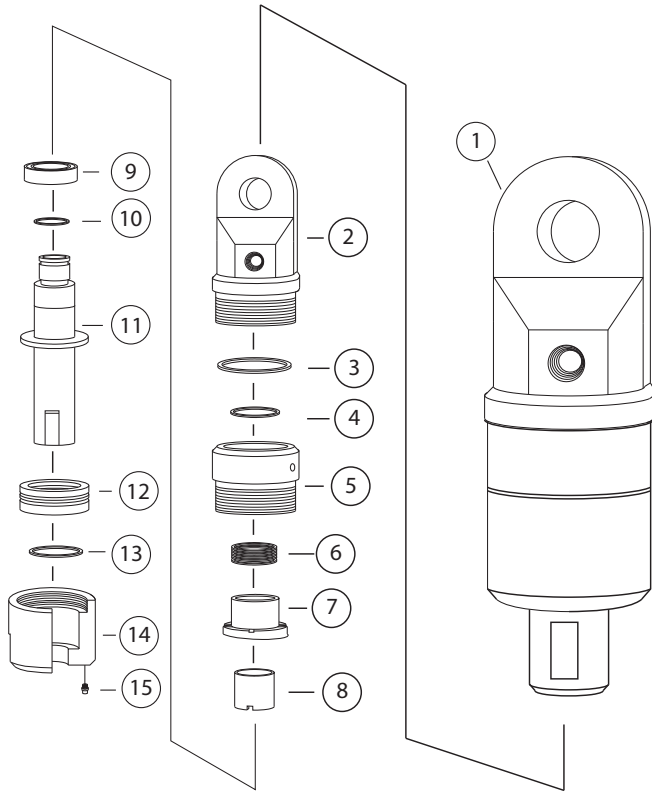
# UNIVERSAL WATER SWIVEL



UNIVERSAL CAPACITY	
ROTATING CAPACITY	11,000 LBS / 5,000 KG
STATIC CAPACITY	25,000 LBS / 11,400 KG

UNIVERSAL ASSEMBLY		
ITEM	PART #	DESCRIPTION
1	7700015	UNIVERSAL WATER SWIVEL ASSY BW ROD BOX CONNECTION (ITEMS: 2-16)
2	7700120	SWIVEL CAP (1-1/4" NPT)
3	7700125	COMPRESSION SPRING
4	4750024	O-RING
5	7700130	PACKING SET
6	7700135	PACKING HOUSING
7	7700140	SPINDLE NUT
8	7700145	LOCKING WASHER
9	7700150	SPACER
10	7700155	RETAINING RING
11	7700160	ANGULAR CONTACT BALL BEARING
12	7700165	SPINDLE EXTENSION
13	7700170	SPINDLE BW ROD BOX CONNECTION
14	7700175	BALL THRUST BEARING
15	7700180	SWIVEL BODY
16	7700185	GREASE FITTING

# COMPACT PLUS WATER SWIVEL



## COMPACT PLUS CAPACITY

ROTATING CAPACITY	10,000 LBS / 4,536 KG
STATIC CAPACITY	20,000 LBS / 9,072 KG

## COMPACT PLUS ASSEMBLY

ITEM	PART #	DESCRIPTION
1	7700008	COMPACT PLUS WATER SWIVEL ASSY AW ROD BOX CONNECTION (ITEMS: 2-14)
2	7700045	SWIVEL CAP (1" NPT)
3	7700050	O-RING
4	7700055	WAVE SPRING WASHER
5	7700060	UPPER BODY
6	7700018	PACKING SET
7	7700070	PACKAGING CAGE
8	7700019	WEAR SLEEVE
9	7700080	ANGULAR CONTACT BALL BEARING
10	7700085	O-RING
11	7651013	SPINDLE AW ROD BOX CONNECTION
12	7700095	BALL THRUST BEARING
13	7700100	FELT SEAL
14	7700105	LOWER SWIVEL BODY
15	7700110	GREASE FITTING
----	7700009	REPAIR KIT - Includes items: 2 sizes (3 of each size) O-Ring (2) Spring Washer (2) "V" Packing Set (2) Wear Sleeve (1) Ball Bearing (2) Felt Seal (1) Ball Thrust Bearing



## TOP FEED SWIVELS



Hole Products offers a variety of quality top feed water swivels for use on conventional rotary drill rigs. Swivels are designed to provide a watertight rotating joint to connect the pump and drill string with a high pressure hose. Water swivels help pump water or other drilling fluids to the bottom of the bore hole.

Top feed swivels are available with a number of NPT top connection and multiple lower connection sizes.

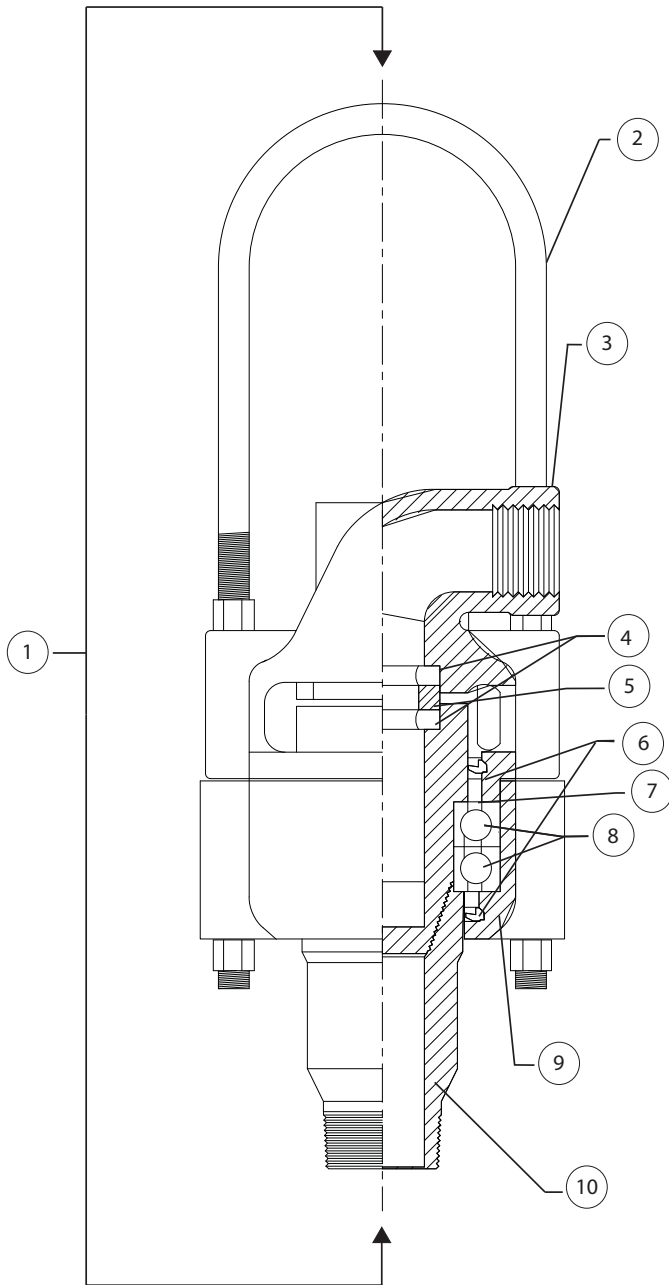
In addition, we offer a complete line of replacement parts for repairs to existing swivels.

Subs are available to adapt to all industry standard sized rods and casing.

Please contact your Hole Products representative for assistance selecting the swivel best suited for your drilling needs and availability of additional top feed swivels.



# 1-J TOP FEED SWIVEL



## 1-J TECHNICAL DATA

LENGTH	WT LBS	WORKING PRESSURE
13"	15	300 P.S.I.

## 1-J TOP FEED CAPACITY

ROTATING CAPACITY	1,135 LBS. / 515 KG @ 100 RPM
STATIC CAPACITY	5,000 LBS. / 2,268 KG

## 1-J TOP FEED ASSEMBLY

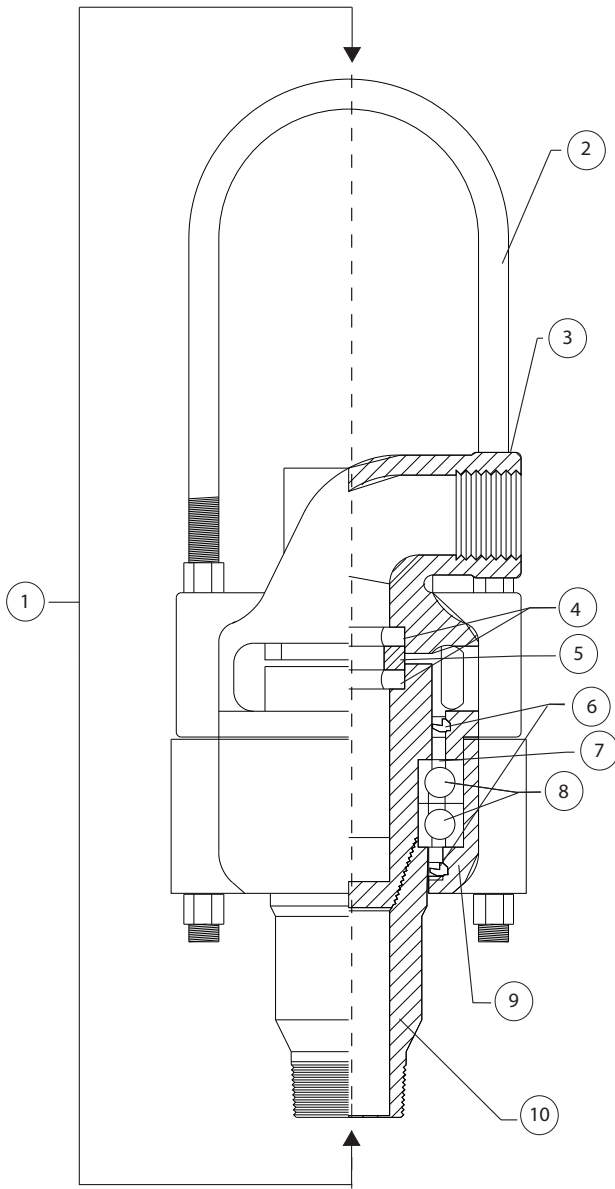
ITEM	PART #	DESCRIPTION
1	7651008	1-J WATER SWIVEL ASSY. 1 1/4" LH PIN X 1 1/4" NPT (STD.)* (ITEMS: 2-10)
2	7650110	BAIL WITH NUTS
3	7650115	GOOSENECK 1 1/4" FEMALE**
4	7650006	PACKING BLACK 03 (STD.)
	7650120	PACKING 03-90 RED (OPT.)
5	7650011	WEAR BUSHING 1JW04 STEEL
6	7650059	HOUSING SEAL
7	7650125	BEARING SPINDLE
8	4750029	BEARING
9	7650060	BEARING HOUSING (IRON)
10	7650138	LOWER CONNECTION*** 1 1/4" NPT LH PIN (STD)
	7650130	LOWER CONNECTION*** 1 1/2" NPT LH PIN (OPT.)
	7650135	LOWER CONNECTION*** 2" NPT LH PIN (OPT.)
---	7650063	MAINTENANCE KIT - Includes items: (8) Packings (1) Wear Bushing

\* Swivels are available with additional lower connection sizes.

\*\* Additional NPT inlet sizes are available.

\*\*\* Subs are available to adapt the bottom connection to all industry standard sized rods.

# 2-J TOP FEED SWIVEL



2-J TECHNICAL DATA		
LENGTH	WT LBS	WORKING PRESSURE
16"	21	300 P.S.I.

2-J TOP FEED CAPACITY	
ROTATING CAPACITY	1,825 LBS. / 828 KG @ 100 RPM
STATIC CAPACITY	7,000 LBS. / 3,175 KG

2-J TOP FEED ASSEMBLY		
ITEM	PART #	DESCRIPTION
1	7651006	2-J WATER SWIVEL ASSY. 1 1/2" LH PIN X 1 1/2" NPT (STD.)* (ITEMS: 2-10)
2	7650061	BAIL WITH NUTS
3	7650056	GOOSENECK 1 1/2" FEMALE**
	7650140	GOOSENECK 2" FEMALE**
4	7650005	PACKING O3 BLACK (STD.)
	7650014	PACKING O3-90 RED (OPT.)
5	7650010	WEAR BUSHING 2JW04 STEEL
6	7650007	HOUSING SEAL (2 REQ.)
7	7650058	BEARING SPINDLE
8	7650012	BEARING
9	7650057	BEARING HOUSING (IRON)
10	7650051	LOWER CONNECTION*** 1 1/2" NPT LH PIN (STD.)
	7650047	LOWER CONNECTION*** 1 1/4" NPT LH PIN (OPT.)
	7650053	LOWER CONNECTION*** 2" NPT LH PIN (OPT.)
----	7650065	MAINTENANCE KIT - Includes items: (8) Packings (1) Wear Bushing

\* Swivels are available with additional lower connection sizes.

\*\* Additional NPT inlet sizes are available.

\*\*\* Subs are available to adapt the bottom connection to all industry standard sized rods.

## SIDE FEED SWIVELS



Hole Products offers a variety of quality side inlet water swivels, designed for use with hydraulic, top-head drive rigs and/or to convert auger rigs to circulating, rotary drilling rigs. Swivels are designed to provide a watertight rotating joint to connect the pump and drill string with a high pressure hose. Water swivels help pump water or other drilling fluids to the bottom of the bore hole.

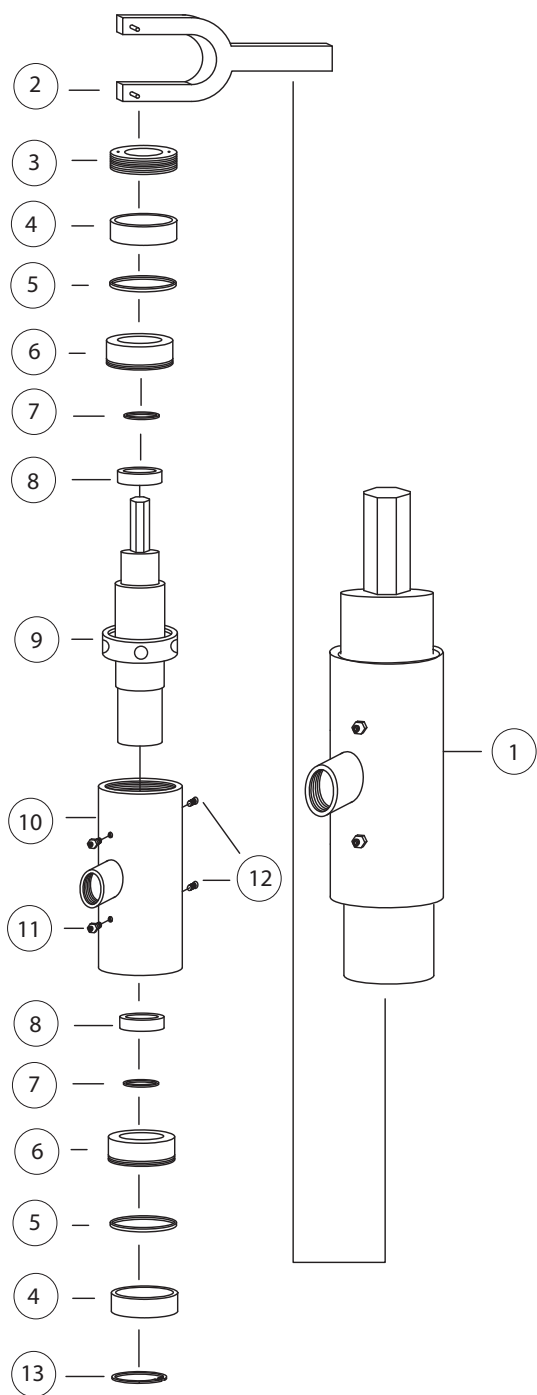
Side feed swivels are available with a number of HEX top connection, multiple lower connection and NPT side feed connection sizes.

In addition, we offer a complete line of replacement parts for quick and easy field repairs.

Subs are available to adapt to all industry standard sized rods and casing.

Please contact your Hole Products representative for assistance selecting the swivel best suited for your drilling needs and availability of additional side feed swivels.

# H26 SIDE FEED SWIVEL



## H26 TECHNICAL DATA

LENGTH	WIDTH	WT LBS	HOSE CONNECTION
12"	4"	17	1"

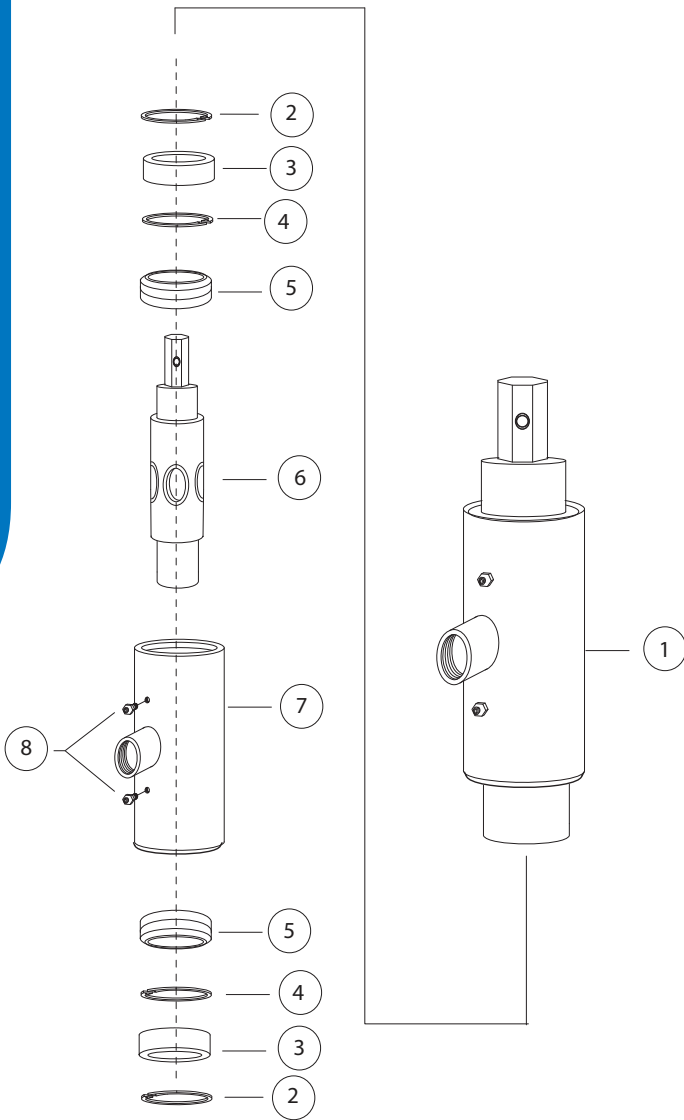
## H26 SIDE FEED SWIVEL

ITEM	PART #	DESCRIPTION
1	7700000	H26 WATER SWIVEL ASSY. 1 5/8" HEX X AW BOX* (ITEMS: 2-13)
	7700004	H26 WATER SWIVEL ASSY. 1 5/8" HEX X NW BOX* (ITEMS: 2-13)
	7700014	H26 WATER SWIVEL ASSY. 1 5/8" HEX X AWJ PIN* (ITEMS: 2-13)
	7700003	H26 WATER SWIVEL ASSY. 1 5/8" HEX X NWJ PIN* (ITEMS: 2-13)
2	7650052	SPANNER WRENCH
3	7650044	GLAND
4	7700022	BEARING
5	7650069	WEAR BUSHING O-RING
6	7650046	WEAR BUSHING
7	7650145	STEM ASSEMBLY O-RING
8	7650071	PACKING RING
9	7700021	STEM 1 5/8" HEX X NW BOX
	7700047	STEM 1 5/8" HEX X AWJ PIN
	7650150	STEM 1 5/8" HEX X NWJ PIN
10	7650064	BODY
11	1800115	GREASE FITTING
12	7650027	SET SCREW
13	7650070	SNAP RING
----	7700001	PACKING SET - Includes items: (2) Wear Bushing O-rings (2) Stem Assembly O-rings (2) Packing Ring

\* Additional hex sizes are available.

\* Subs are available to adapt the bottom connection to all industry standard sized rods.

# 6 RG SIDE FEED SWIVEL



6 RG TECHNICAL DATA				
LENGTH	WIDTH	WT LBS	HOSE CONNECTION	WORKING PRESSURE
13 1/2"	4"	22	1"	350 P.S.I.

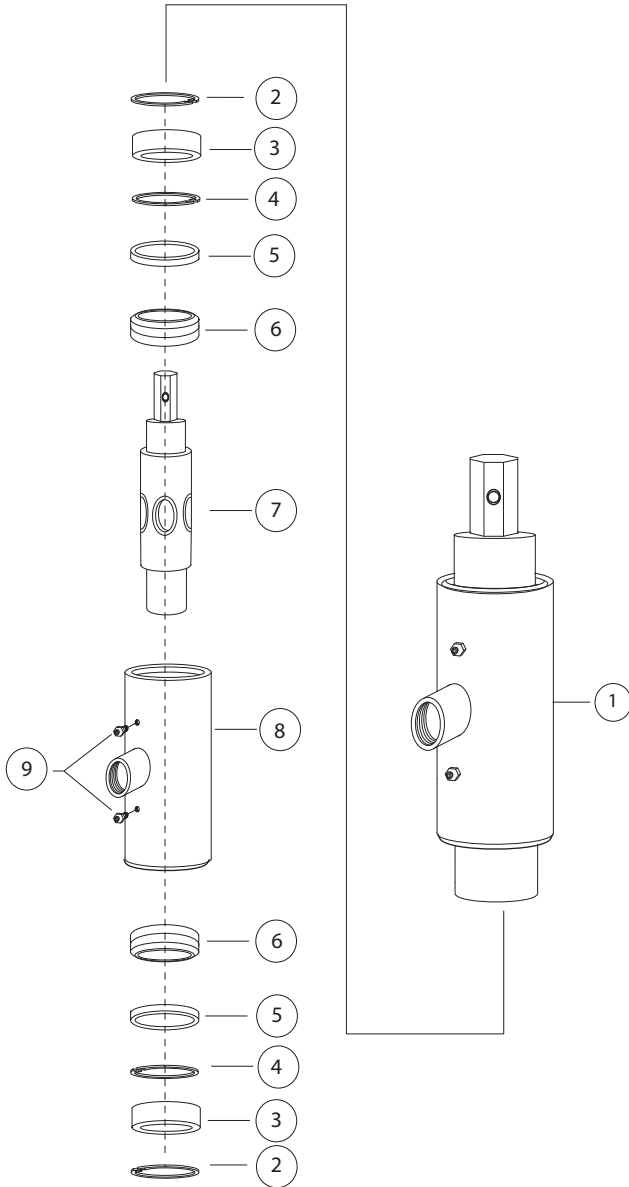
6 RG SIDE FEED SWIVEL		
ITEM	PART #	DESCRIPTION
1	7700013	6 RG WATER SWIVEL ASSY. 1 1/8" HEX X AW BOX* (ITEMS: 2-8)
	7700012	6RG WATER SWIVEL ASSY. 1 5/8" HEX X AW BOX* (ITEMS: 2-8)
2	7650041	BEARING RETAINER
3	7650029	BEARINGS
4	7650042	PACKING RETAINER
5	7650026	CHEVRON PACKING KIT (2 REQ.)**
6	7650155	STEM 1 1/8" HEX X AW BOX
	7650032	STEM 1 5/8" HEX X AW BOX
7	7650160	SWIVEL HOUSING 1" NPT
8	1800115	GREASE FITTINGS

\* Additional hex sizes and bottom connection sizes are available.

\* Subs are available to adapt the bottom connection to all industry standard sized rods.

\*\* Optional steel pack seat ring are available to increase working pressure.

# 12 RG SIDE FEED SWIVEL



## 12 RG TECHNICAL DATA

LENGTH	WIDTH	WT LBS	HOSE CONNECTION	WORKING PRESSURE
14 1/16"	5"	35	1 1/4"	750 P.S.I.

## 12 RG SIDE FEED SWIVEL

ITEM	PART #	DESCRIPTION
1	7700016	12 RG WATER SWIVEL ASSY. 1 5/8" HEX X NW BOX* (ITEMS: 2-9)
	7650165	12 RG WATER SWIVEL ASSY. 1 5/8" HEX X NWJ PIN* (ITEMS: 2-9)
	7650170	12 RG WATER SWIVEL ASSY. 2" HEX X NW BOX* (ITEMS: 2-9)
	7650175	12 RG WATER SWIVEL ASSY. 2" HEX X NWJ PIN* (ITEMS: 2-9)
2	7650039	BEARING RETAINER
3	7650037	BEARINGS
4	7650038	PACKING RETAINER
5	7650036	STEEL SEAT RING
6	7650031	CHEVRON PACKING KIT (2 REQ.)
7	7650043	STEM 1 5/8" HEX X NW BOX
8	7650180	SWIVEL HOUSING 1 1/4" NPT
9	7650185	GREASE FITTINGS

\* Additional hex sizes and bottom connection sizes are available.

\* Subs are available to adapt the bottom connection to all industry standard sized rods.

## REVERSE CIRCULATION AIR SWIVELS

Hole Products offers a variety of air swivels for use on reverse circulation drilling operations. Reverse Circulation air swivels can be customized to connect any pin or box connection, and designed for use on any rig.

Air swivels attach to the top of the Reverse Circulation drill rods or tubing to form a connection with the compressor or pump to allow circulation of the drilling mud, air, or water. The swivel feeds air or fluids into the outer drill rod, while maintaining a sealed inner tube to allow the cuttings to flow to the surface. Reverse Circulation swivels allow the drill pipe to rotate, while the side port for the cuttings to be returned remains stationary.



## OTHER SWIVEL OPTIONS

### SIDE FEED SWIVELS

#### 20 RG SIDE FEED SWIVEL TECHNICAL DATA

LENGTH	WIDTH	WT LBS.	HOSE CONNECTION	WORKING PRESSURE
21"	6"	75	2"	2000

#### 4.5 RG SIDE FEED SWIVEL TECHNICAL DATA

LENGTH	WIDTH	WT LBS.	HOSE CONNECTION	WORKING PRESSURE
22 3/4"	9"	230	2"	1,500
22 3/4"	9"	230	2 1/2"	1,500
19 3/4"	9"	215	2 1/2"	1,500

### WATER WELL SWIVELS

#### 3-JW TECHNICAL DATA

LENGTH	WT LBS.	WORKING PRESSURE
19"	36	300

#### 3-JW TOP FEED CAPACITY

ROTATING CAPACITY	7,200 LBS / 3,266 KG @ 100 RPM
STATIC CAPACITY	10,000 LBS / 4,536 KG

#### 20 WX TECHNICAL DATA

LENGTH	WT LBS.	WORKING PRESSURE
34"	140	300

#### 20 WX TOP FEED CAPACITY

ROTATING CAPACITY	36,000 LBS / 16,329 KG @ 100 RPM
STATIC CAPACITY	70,000 LBS / 31,751 KG

#### 20 WXA ADJUSTABLE PACKING SWIVEL TECHNICAL DATA

LENGTH	WT LBS.	WORKING PRESSURE
38"	165	300

#### 20 WXA TOP FEED CAPACITY

ROTATING CAPACITY	36,000 LBS / 16,329 KG @ 100 RPM
STATIC CAPACITY	70,000 LBS / 31,751 KG

#### 15 WX TECHNICAL DATA

LENGTH	WT LBS.	WORKING PRESSURE
33"	95	300

#### 15 WX TOP FEED CAPACITY

ROTATING CAPACITY	27,000 LBS / 12,246 KG @ 100 RPM
STATIC CAPACITY	50,000 LBS / 22,680 KG

#### 15 WXA ADJUSTABLE PACKING SWIVEL TECHNICAL DATA

LENGTH	WT LBS.	WORKING PRESSURE
36"	125	300

#### 15 WXA TOP FEED CAPACITY

ROTATING CAPACITY	27,000 LBS / 12,246 KG @ 100 RPM
STATIC CAPACITY	50,000 LBS / 22,680 KG