



HOSES & FITTINGS

MINERAL EXPLORATION
ENVIRONMENTAL
GEOTECHNICAL
GEOHERMAL
ROTARY
SONIC
HDD



HOSES & FITTINGS TABLE OF CONTENTS

HOSE & FITTINGS OVERVIEW.....2

HIGH PRESSURE AIR HOSE.....3

WHIP CHECKS3

MULTI-PURPOSE DRILLERS HOSE4

BOSS GROUND JOINT SEALS & CLAMPS.....5-6

EPDM SUCTION & LAYFLAT HOSE7

CAM LOCK FITTINGS8-9



HOSES & FITTINGS



Hole Products offers a complete line of high pressure air hose, multi-purpose driller's hose, EPDM suction hose, PVC layflat hose, fittings, and accessories for a variety of suction, discharge, and transfer applications.

Hoses are available in a wide range of sizes, psi ratings, and lengths to meet any requirement.

Pre-coupled assemblies are available in any length with a variety of custom fittings.

Please contact your Hole Products representative for additional product offerings and pre-coupled assembly ordering details.

Products listed in the catalog are representative of the most common industry sizes and styles. Please contact your Hole Products representative for additional product offerings.

HIGH PRESSURE AIR HOSE

High pressure air hoses are mandrel built and wrapped with a special blended cover compound to provide excellent performance and cut/abrasion resistance in even the most demanding drilling applications. Pre-coupled assemblies with custom Boss fittings are available on request.

Sizes: 1" to 3" I.D.

Temp. Range: -30° to +200° F



HIGH PRESSURE AIR HOSE*				
I.D.	O.D.	APPROX. WT LBS/FT	PART #	
			500 WP P.S.I.	600 WP P.S.I.
1"	1 1/2"	.75	4351009	4351015
1 1/2"	2"	1.25	4351008	4351020
2"	2 31/50"	1.90	4350000	4351005
2 1/2"	3 5/32"	2.40	4351025	4351006
3"	3 23/32"	2.90	4351030	4350010

*Additional sizes and P.S.I. ratings are available on request.

WHIP CHECKS

Add whip checks at each hose connection and from tool to hose to prevent serious injury due to hose or coupling failure.

All whip checks are highly resistant to rust and corrosion and are available to fit hoses from 1/2" to 4" I.D.



WHIP CHECKS			
HOSE I.D.	WHIP CHECK LENGTH	CONNECTION TYPE	PART #
1/2" - 1 1/4"	20 1/4"	HOSE TO HOSE	4310039
1/2" - 2"	28"	HOSE TO HOSE	4310115
1 1/2" - 3"	38"	HOSE TO HOSE	4310040
UP TO 4"	44"	HOSE TO HOSE	4310120
1/2" - 1 1/4"	20 1/4"	HOSE TO TOOL	4310125
1/2" - 2"	28"	HOSE TO TOOL	4310130
1 1/2" - 3"	38"	HOSE TO TOOL	4310135
UP TO 4"	44"	HOSE TO TOOL	4310140

MULTI-PURPOSE DRILLERS HOSE

Hole Products offers multi-purpose drillers hose designed for use with air, water, and diluted chemicals. Drillers hose offers resistance to heat and weathering and is oil mist resistant. Multi-purpose hoses feature a smooth red cover, black EPDM tube, and are reinforced with layers of high tensile polyester yarn. Pre-coupled assemblies with custom Boss fittings are available on request.

Sizes: 1/4" to 2" I.D.
 Temp. Range: -40° to +93° F



MULTI-PURPOSE DRILLERS HOSE*				
I.D.	O.D.	MAX WP P.S.I.	APPROX. WT LBS/FT	PART #
3/4"	1.13"	150	.34	4351035
3/4"	1.16"	250	.38	4351040
1"	1.37"	200	.51	4351045
1 1/4"	1.78"	200	.81	4351050
1 1/2"	2.03"	200	.95	4351055
2"	2.50"	200	1.13	4351060

*Additional sizes and P.S.I. ratings are available on request.

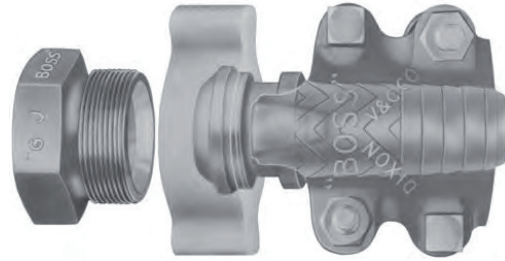


BOSS™ AIR FITTINGS

Boss™ air fittings provide a convenient threaded fitting to connect two lengths of high pressure hose or a single length to a threaded NPT outlet on a piece of equipment.

Hole Products offers a variety of plated iron Boss™ fittings, ranging in size from 1" through 3".

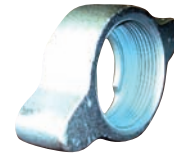
Plated steel fittings are available on request.



*COMPLETE FEMALE



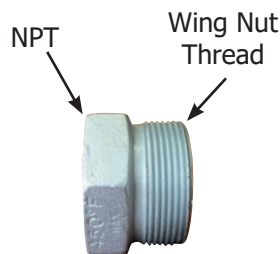
TAPERED TOP STEM



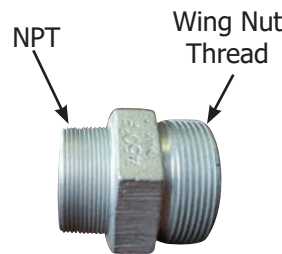
WING NUT

BOSS™ AIR FITTINGS			
HOSE SHANK X NPT	COMPLETE FEMALE* PART #	STEM PART #	WING NUT PART #
1"	4250060	4250075	4250100
1 1/2"	4250065	4250080	4250105
2"	4250005	4250085	4250110
2 1/2"	4250055	4250090	4250115
3"	4250070	4250095	4250120

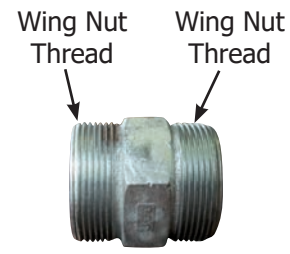
*Complete fittings include a female spud, stem, and wing nut. Fittings are available as complete assemblies or as individual parts.



FEMALE SPUD



MALE SPUD



DOUBLE SPUD

BOSS™ AIR FITTINGS			
HOSE SHANK X NPT	FEMALE SPUD PART #	MALE SPUD PART #	DOUBLE SPUD PART #
1"	4250125	4250140	4250150
1 1/2"	4250040	4250045	4250155
2"	4250010	4250025	4250030
2 1/2"	4250026	4250050	4250160
3"	4250135	4250145	4250165

BOSS™ CLAMPS

Hole Products offers four bolt, plated malleable iron clamps, available in 2 grip and 4 grip styles to fit hose I.D.s, ranging from 1" through 3".

The bolts used in the Boss™ interlocking clamps are not standard bolts. Speciality replacement nuts and bolts are available.

Additional Boss™ clamps including stainless steel and brass clamps are available on request.

BOSS CLAMPS					
HOSE I.D.	HOSE O.D.		PSI	2 GRIP	4 GRIP
	FROM	TO			
1"	1 1/2"	1 3/4"	600	4250170	4250190
1 1/2"	2"	2 1/4"	600	4250175	4250195
2"	2 1/2"	2 3/4"	600	4250020	4250200
2 1/2"	3 1/2"	3 3/4"	450	4250180	4250205
3"	3 1/2"	3 3/4"	450	4250185	4250210

- This chart is intended as a guide only.
- The use of lubricant on bolts will adversely affect clamp performance. Do not lubricate nuts and bolts.



2 GRIP



4 GRIP



EPDM SUCTION HOSE

Hole Products offers EPDM suction hose for wet or dry applications. These hoses provide an excellent blend of durability, chemical resistance, and cold weather flexibility. Pre-coupled assemblies with custom cam lock fittings are available on request.

Sizes: 1" to 6" I.D.

Temp Range: -40° to 140° F



EPDM SUCTION HOSE				
I.D.	O.D.	WP P.S.I. 72° F	APPROX. WT LBS/FT	PART #
1"	1.34"	50	.23	4400115
1.5"	1.84"	50	.40	4400100
2"	2.43"	50	.67	4400080
3"	3.52"	43	1.10	4400120
4"	4.61"	38	1.84	4400049
6"	6.81"	23	3.07	4400125

PVC LAYFLAT DISCHARGE HOSE

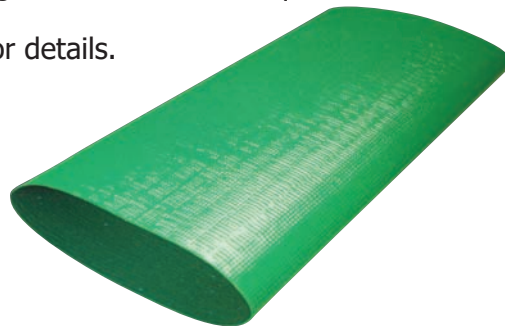
Hole Products offers a large selection of PVC layflat hose. Layflat hose is constructed of premium quality PVC and a reinforced cover. Layflat is lightweight, flexible, and easy to transfer and store. It is an excellent hose for drilling, mining, construction, and industrial applications. Pre-coupled assemblies with custom cam lock fittings are available on request.

Please contact your Hole Products representative for details.

Sizes: 1" to 6" I.D.

Temp Range: -5° to 170° F

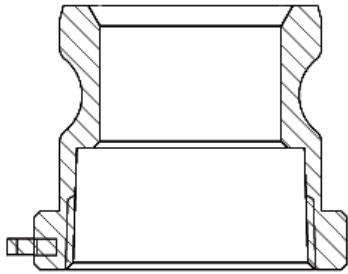
WP P.S.I.: 50 to 600 P.S.I.



CAM LOCK FITTINGS

Hole Products offers cam lock fittings in a broad range of sizes and styles. Cam lock fittings are an excellent choice for applications in low pressure fluid handling. These couplings mate quickly and conveniently by inserting the grooved coupling into the cam coupling and simply closing the cam arms. Safety pins prevent the cam arms from accidental disconnection during use.

TYPE A

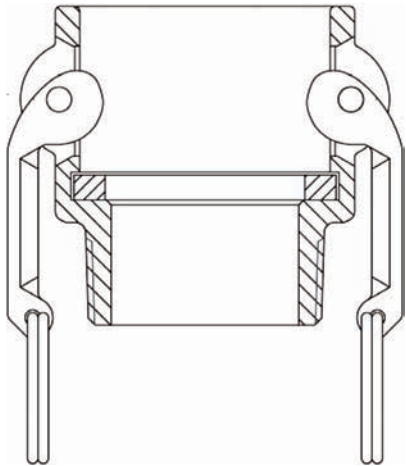


TYPE A - (ADAPTER X FEMALE NPT THREAD)*

PART #	SIZE
4300010	1" ADAPTER X 1" FEMALE NPT THREAD
4300005	2" ADAPTER X 2" FEMALE NPT THREAD
4300110	3" ADAPTER X 3" FEMALE NPT THREAD
4300053	4" ADAPTER X 4" FEMALE NPT THREAD
4300062	5" ADAPTER X 5" FEMALE NPT THREAD
4300115	6" ADAPTER X 6" FEMALE NPT THREAD

*Aluminium fittings listed. Call for brass or polypropylene fittings.

TYPE B

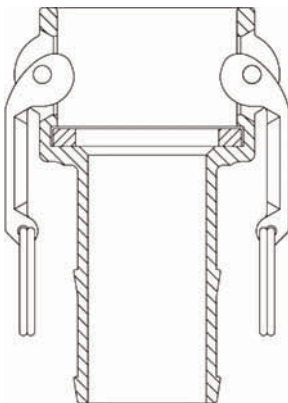


TYPE B - (COUPLER X MALE NPT THREAD)*

PART #	SIZE
4300018	1" COUPLER X 1" MALE NPT THREAD
4300011	2" COUPLER X 2" MALE NPT THREAD
4300099	3" COUPLER X 3" MALE NPT THREAD
4300120	4" COUPLER X 4" MALE NPT THREAD
4300125	5" COUPLER X 5" MALE NPT THREAD
4300130	6" COUPLER X 6" MALE NPT THREAD

*Aluminium fittings listed. Call for brass or polypropylene fittings.

TYPE C



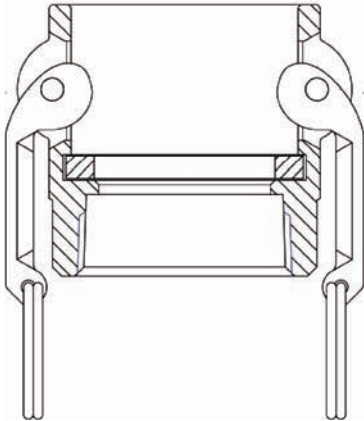
TYPE C MALE - (COUPLER X HOSE SHANK)*

PART #	SIZE
4300016	1" COUPLER X 1" HOSE SHANK
4300006	2" COUPLER X 2" HOSE SHANK
4300135	3" COUPLER X 3" HOSE SHANK
4300054	4" COUPLER X 4" HOSE SHANK
4300140	5" COUPLER X 5" HOSE SHANK
4300145	6" COUPLER X 6" HOSE SHANK

*Aluminium fittings listed. Call for brass or polypropylene fittings.

CAM LOCK FITTINGS

TYPE D

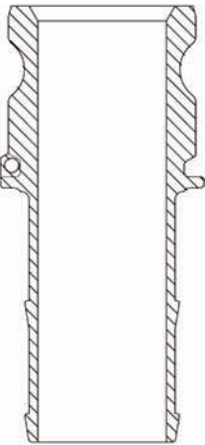


TYPE D - (COUPLER X FEMALE NPT THREAD)*

PART #	SIZE
4300015	1" COUPLER X 1" FEMALE NPT THREAD
4300040	2" COUPLER X 2" FEMALE NPT THREAD
4300050	3" COUPLER X 3" FEMALE NPT THREAD
4300052	4" COUPLER X 4" FEMALE NPT THREAD
4300160	5" COUPLER X 5" FEMALE NPT THREAD
4300165	6" COUPLER X 6" FEMALE NPT THREAD

*Aluminium fittings listed. Call for brass or polypropylene fittings.

TYPE E

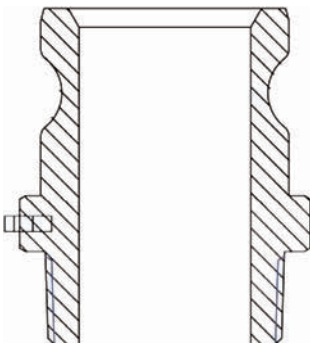


TYPE E - (ADAPTER X HOSE SHANK)*

PART #	SIZE
4300017	1" ADAPTER X 1" HOSE SHANK
4300007	2" ADAPTER X 2" HOSE SHANK
4300170	3" ADAPTER X 3" HOSE SHANK
4300058	4" ADAPTER X 4" HOSE SHANK
4300175	5" ADAPTER X 5" HOSE SHANK
4300056	6" ADAPTER X 6" HOSE SHANK

*Aluminium fittings listed. Call for brass or polypropylene fittings.

TYPE F



TYPE F - (ADAPTER X MALE NPT THREAD)*

PART #	SIZE
4300019	1" ADAPTER X 1" MALE NPT THREAD
4300180	2" ADAPTER X 2" MALE NPT THREAD
4300185	3" ADAPTER X 3" MALE NPT THREAD
4300190	4" ADAPTER X 4" MALE NPT THREAD
4300195	5" ADAPTER X 5" MALE NPT THREAD
4300200	6" ADAPTER X 6" MALE NPT THREAD

*Aluminium fittings listed. Call for brass or polypropylene fittings.

