



AUGER TOOLS

MINERAL EXPLORATION
ENVIRONMENTAL
GEOTECHNICAL
GEOTHERMAL
ROTARY
SONIC
HDD



www.holePRODUCTS.com

AUGER TOOLS

TABLE OF CONTENTS

AUGER OVERVIEW 3

HOLLOW STEM AUGERS 4-12

- 2 1/4" Hollow Stem Augers 6
- 3 1/4" Hollow Stem Augers 7
- 4 1/4" Hollow Stem Augers 8
- 6 1/4" Hollow Stem Augers 9
- 6 5/8" Hollow Stem Augers10
- 8 1/4" Hollow Stem Augers11
- 10 1/4" Hollow Stem Augers.....12

HOLLOW STEM AUGER COMPONENTS 13

HOLLOW STEM AUGER CUTTERHEADS..... 14-19

HOLLOW STEM AUGER ACCESSORIES..... 20-22

CONTINUOUS FLIGHT AUGERS 23-24

CONTINUOUS FLIGHT AUGER COMPONENTS 25

CONTINUOUS FLIGHT AUGER CUTTERHEADS 26-27

CONTINUOUS FLIGHT AUGER ACCESSORIES 28

OTHER AUGER ACCESSORIES 29-30

- Auger Adapters, Hammers, & Stemming Plugs.....29
- Steel Drums30





AUGER TOOLS



Augers and their associated tooling are used in several drilling markets including geotechnical, environmental, exploration, and construction. Augers are recognized as versatile and effective tools for advancing the borehole, and therefore are the preferred drilling method for a variety of applications.

Hollow stem augers are commonly used for soil sampling and ground water monitoring. These augers work much like a temporary casing in that the centers of the augers are open to allow for soil and water sampling, and/or well installation.

Continuous flight augers are commonly used for construction, geotechnical, and mining applications. Continuous flight augers are manufactured with a solid center shaft and are available with several cutterhead styles to offer excellent performance in a variety of formations.

Contractors need a ready source for their augers, components, and accessories to keep their drilling operations on track and without downtime. Hole Products offers a complete line of quality hollow stem and continuous flight augers, cutterheads, bits, spare parts, and accessories. In addition, our sales team has the experience and knowledge necessary to offer troubleshooting and tooling solutions.

Please contact your Hole Products representative for additional details.

Products listed in the catalog are representative of the most common industry sizes and styles. Please contact your Hole Products representative for additional product offerings.

HOLLOW STEM AUGERS



Overview:

Hollow stem augers are commonly used in the geotechnical, environmental, and construction drilling markets. They work much like a temporary casing in that the centers of the augers are open, thus allowing work to commence inside the augers using soil sampling equipment, down the hole hammers and coring tools, or for installing wells, tie back rods or cables and more.

Drilling:

Hollow stem augers are commonly used with a plug assembly for the purpose of preventing soil from entering the inside (hollow stem) of the augers. The plug with pilot bit is held in place by a center drill rod and rod-to-cap adapter, bolted in the drive cap. This allows the pilot bit to turn in tandem with the auger. When the desired hole depth is achieved, the center rod, plug and pilot bit are removed, allowing sampling, coring or other work to commence inside the auger.

In water bearing sands, a flex plug can be used to prevent material from entering the hollow stem auger I.D., while continuing to allow for the sampling tube to pass through.

For applications not requiring sampling, a knock out plug can be inserted into the end of the cutterhead to eliminate the use of drill rods. When the desired hole depth is achieved, the plug may be knocked out of the bottom of the auger string to allow for well installation.

HOLLOW STEM AUGERS

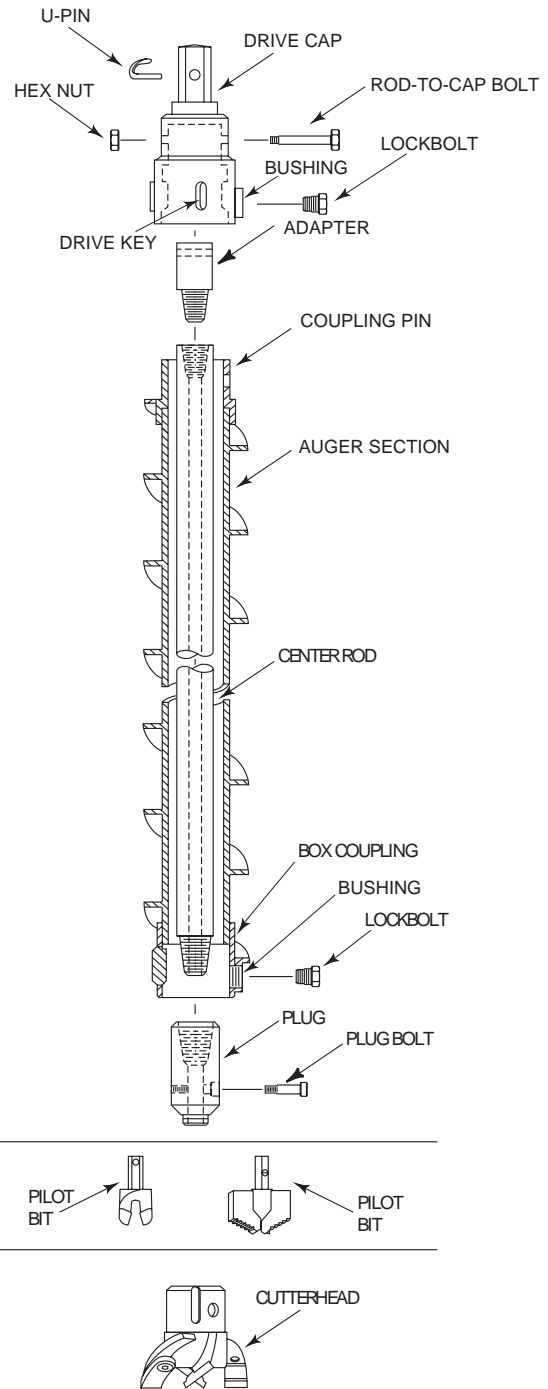
Hole Products offers standard and heavy duty hollow stem augers in five foot lengths (custom lengths available), sizes ranging from 2 1/4" through 10 1/4" (identified by the auger I.D.) and with a 2 key or 3 key drive system.

Diedrich and Acker octagonal style hollow stem augers are available upon request.

Standard duty augers are generally recommended for shallower drilling, (less than 70'), and for lower torque drill rigs.

Heavy duty augers feature heavier tool joints and larger auger bolts and drive keys. HD augers are generally recommended for drilling in excess of 70', and for higher torque drill rigs.

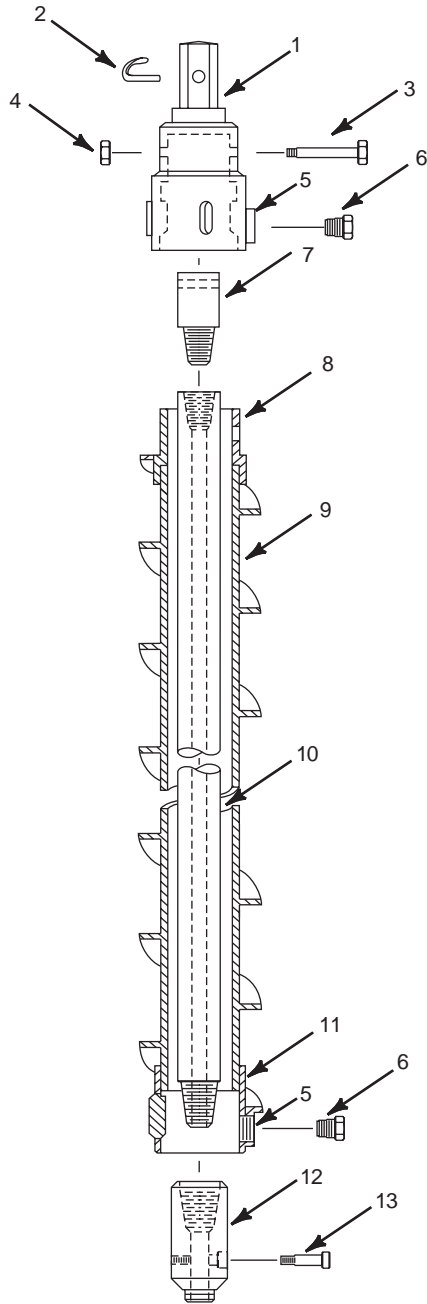
All augers are quality crafted from premium materials and include continuous hard faced flighting, to ensure performance and longevity in even the most demanding drilling conditions.



HOLLOW STEM AUGER SPECIFICATIONS							
AUGER I.D.		FLIGHT O.D.		CUTTERHEAD O.D.		WEIGHT	
INCHES	MM	INCHES	MM	INCHES	MM	LB	KG
2 1/4	57	5 5/8	143	6 1/2	165	52	23.0
3 1/4	83	6 1/2	165	7 1/4	184	69	31.3
4 1/4	108	7 5/8	194	8 1/2	216	90	40.8
6 1/4	159	9 5/8	244	11	279	105	47.6
6 5/8	168	10	254	11	279	105	47.6
8 1/4	210	12	305	13 3/4	349	144	65.3
10 1/4	260	14 1/4	362	15	381	256	116.1

HOLLOW STEM AUGERS

2 1/4" - 2 KEY



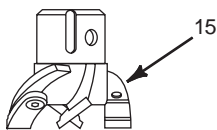
2 1/4" HOLLOW STEM AUGERS		
ITEM	PART #	DESCRIPTION
	2 KEY (SD)	
1	1350001	DRIVE CAP: 1 1/8" HEX
1	1350000	DRIVE CAP: 1 5/8" HEX
1	1350002	DRIVE CAP: 2" HEX
2	1301025	U-PIN 1 1/8" STANDARD*
2	1301000	U-PIN 1 5/8" STANDARD*
2	1301001	U-PIN 2" STANDARD*
3	1301050	ROD-TO-CAP BOLT
4	1301065	HEX NUT
5	1250051	BUSHING, W/ OUT FLANGE
5	1250052	BUSHING W/ FLANGE
6	1301005	AUGER BOLT
7	1250210	ADAPTER: AW ROD TO DRIVE CAP**
7	1250088	ADAPTER: AWJ ROD TO DRIVE CAP**
7	1250215	ADAPTER: NW ROD TO DRIVE CAP**
7	1250089	ADAPTER: NWJ ROD TO DRIVE CAP**
8	1250220	PIN COUPLING, HEAT-TREATED (REPAIR ONLY)
9	1450000	AUGER SECTION - 5'0 (1.5M)***
10	3050010	AW CENTER ROD - 5'0 (1.5M)
10	3050000	AWJ CENTER ROD - 5'0 (1.5M)
10	2150020	NW CENTER ROD - 5'0 (1.5M)
10	3050020	NWJ CENTER ROD - 5'0 (1.5M)
11	1250225	BOX COUPLING (REPAIR ONLY)
12	1250230	PLUG - 13/16" (29MM) HEX TO AW BOX
12	1250235	PLUG - 13/16" (29MM) HEX TO AWJ BOX
12	1250240	PLUG - 13/16" (29MM) HEX TO NW BOX
12	1250245	PLUG - 13/16" (29MM) HEX TO NWJ BOX
13	1250250	PLUG BOLT
14	1250255	PILOT BIT, 2-PRONG, 13/16" (29MM) HEX
15	---	CUTTERHEAD****

* Other u-pins available. See page 13.

** Other rod-to-cap adapters available upon request.

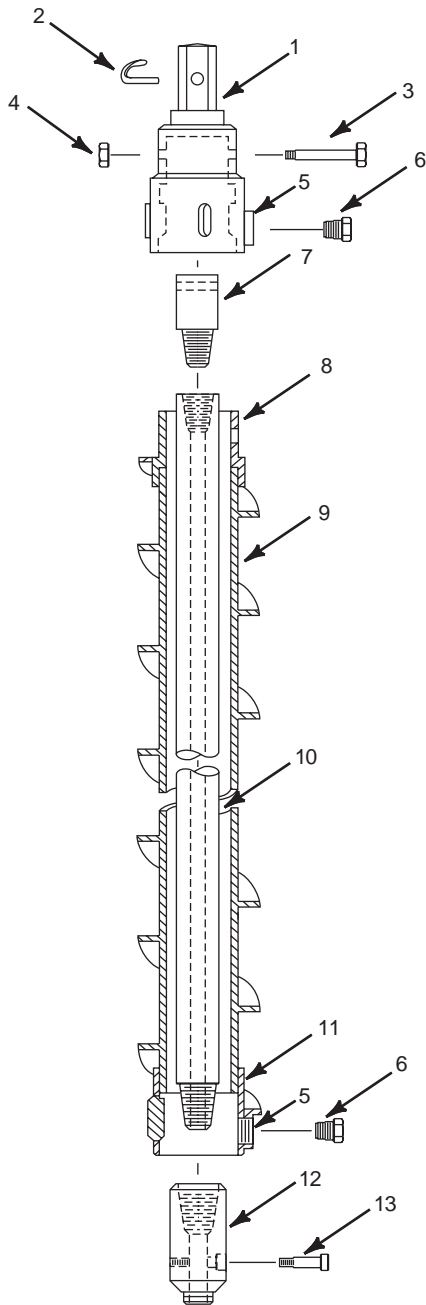
*** Additional lengths available.

**** Refer to Cutterhead Section on page 14.



HOLLOW STEM AUGERS

3 1/4" - 2 KEY AND 3 KEY



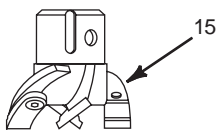
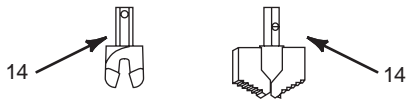
3 1/4" HOLLOW STEM AUGERS				
ITEM	PART #			DESCRIPTION
	2 KEY (SD)	2 KEY (HD)	3 KEY (SD)	
1	1350005	1350028	1350024	DRIVE CAP: 1 5/8" HEX
1	1350035	1350017	1350026	DRIVE CAP: 2" HEX
2	1301025	1301025	1301025	U-PIN 1 1/8" STANDARD*
2	1301000	1301 000	1301000	U-PIN 1 5/8" STANDARD*
2	1301001	1301001	1301001	U-PIN 2" STANDARD*
3	1301055	1301055	1301055	ROD-TO-CAP BOLT
4	1301070	1301070	1301070	HEX NUT
5	1250051	1250130	1250305	REPAIR BUSHING W/OUT FLANGE
6	1301005	1301015	1301010	AUGER BOLT
7	1250210	1250210	1250210	ADAPTER: AW ROD TO DRIVE CAP**
7	1250088	1250088	1250088	ADAPTER: AWJ ROD TO DRIVE CAP**
7	1250215	1250215	1250215	ADAPTER: NW ROD TO DRIVE CAP**
7	1250089	1250089	1250089	ADAPTER: NWJ ROD TO DRIVE CAP**
8	1250135	1250260	1250265	PIN COUPLING, HEAT-TREATED (REPAIR ONLY)
9	1450005	1450006	1450015	AUGER SECTION - 5'0 (1.5M)***
10	3050010	3050010	3050010	AW CENTER ROD - 5'0 (1.5M)
10	3050000	3050000	3050000	AWJ CENTER ROD - 5'0 (1.5M)
10	2150020	2150020	2150020	NW CENTER ROD - 5'0 (1.5M)
10	3050020	3050020	3050020	NWJ CENTER ROD - 5'0 (1.5M)
11	1250270	1250275	1250280	BOX COUPLING (REPAIR ONLY)
12	1250285	1250285	1250285	PLUG - 1 1/8" (29MM) HEX TO AW BOX
12	1250290	1250290	1250290	PLUG - 1 1/8" (29MM) HEX TO AWJ BOX
12	1250295	1250295	1250295	PLUG - 1 1/8" (29MM) HEX TO NW BOX
12	1251008	1251008	1251008	PLUG - 1 1/8" (29MM) HEX TO NWJ BOX
13	1250300	1250300	1250300	PLUG BOLT
14	1251010	1251010	1251010	PILOT BIT, 2-PRONG, 1 1/8" (29MM) HEX
14	1250590	1250590	1250590	PILOT BIT, 3-WING, 1 1/8" (29MM) HEX
15	---	---	---	CUTTERHEADS****

* Other u-pins available. See page 13.

** Other rod-to-cap adapters available upon request.

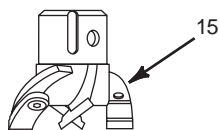
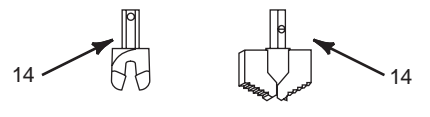
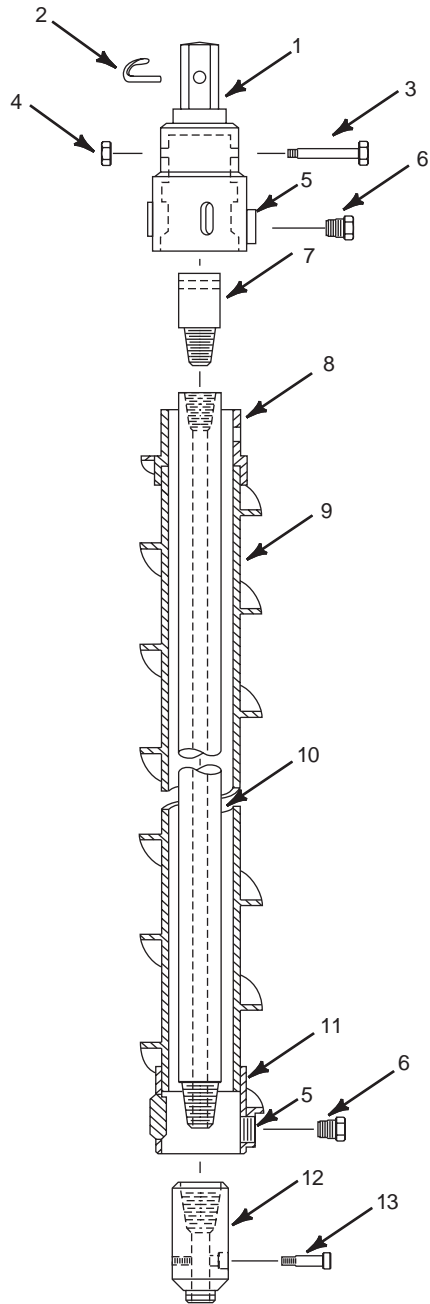
*** Additional lengths available.

**** Refer to Cutterhead Section on page 14.



HOLLOW STEM AUGERS

4 1/4" - 2 KEY AND 3 KEY



4 1/4" HOLLOW STEM AUGERS				
ITEM	PART #			DESCRIPTION
	2 KEY (SD)	2 KEY (HD)	3 KEY (SD)	
1	1350015	1350022	1350021	DRIVE CAP: 1 5/8" HEX
1	1350003	1350016	1350040	DRIVE CAP: 2" HEX
2	1301025	1301025	1301025	U-PIN 1 1/8" STANDARD*
2	1301000	1301000	1301000	U-PIN 1 5/8" STANDARD*
2	1301001	1301001	1301001	U-PIN 2" STANDARD*
3	1301060	1301060	1301060	ROD-TO-CAP BOLT
4	1301075	1301075	1301075	HEX NUT
5	1250051	1250130	1350305	REPAIR BUSHING
6	1301005	1301015	1301010	AUGER BOLT
7	1250210	1250210	1250210	ADAPTER: AW ROD TO DRIVE CAP**
7	1250088	1250088	1250088	ADAPTER: AWJ ROD TO DRIVE CAP**
7	1250215	1250215	1250215	ADAPTER: NW ROD TO DRIVE CAP**
7	1250089	1250089	1250089	ADAPTER: NWJ ROD TO DRIVE CAP**
8	1251012	1250310	1250315	PIN COUPLING, HEAT-TREATED (REPAIR ONLY)
9	1450010	1450012	1450011	AUGER SECTION - 5'0 (1.5M)***
10	3050010	3050010	3050010	AW CENTER ROD - 5'0 (1.5M)
10	3050000	3050000	3050000	AWJ CENTER ROD - 5'0 (1.5M)
10	2150020	2150020	2150020	NW CENTER ROD - 5'0 (1.5M)
10	3050020	3050020	3050020	NWJ CENTER ROD - 5'0 (1.5M)
11	1251013	1250320	1250325	BOX COUPLING (REPAIR ONLY)
12	1250330	1250330	1250330	PLUG - 1 1/8" (29MM) HEX TO AW BOX
12	1250335	1250335	1250335	PLUG - 1 1/8" (29MM) HEX TO AWJ BOX
12	1250340	1250340	1250340	PLUG - 1 1/8" (29MM) HEX TO NW BOX
12	1251006	1251006	1251006	PLUG - 1 1/8" (29MM) HEX TO NWJ BOX
13	1250345	1250345	1250345	PLUG BOLT
14	1251007	1251007	1251007	PILOT BIT, 2-PRONG, 1 1/8" (29MM) HEX
14	1250595	1250595	1250595	PILOT BIT, 3-WING, 1 1/8" (29MM) HEX
15	---	---	---	CUTTERHEADS****

* Other u-pins available. See page 13.

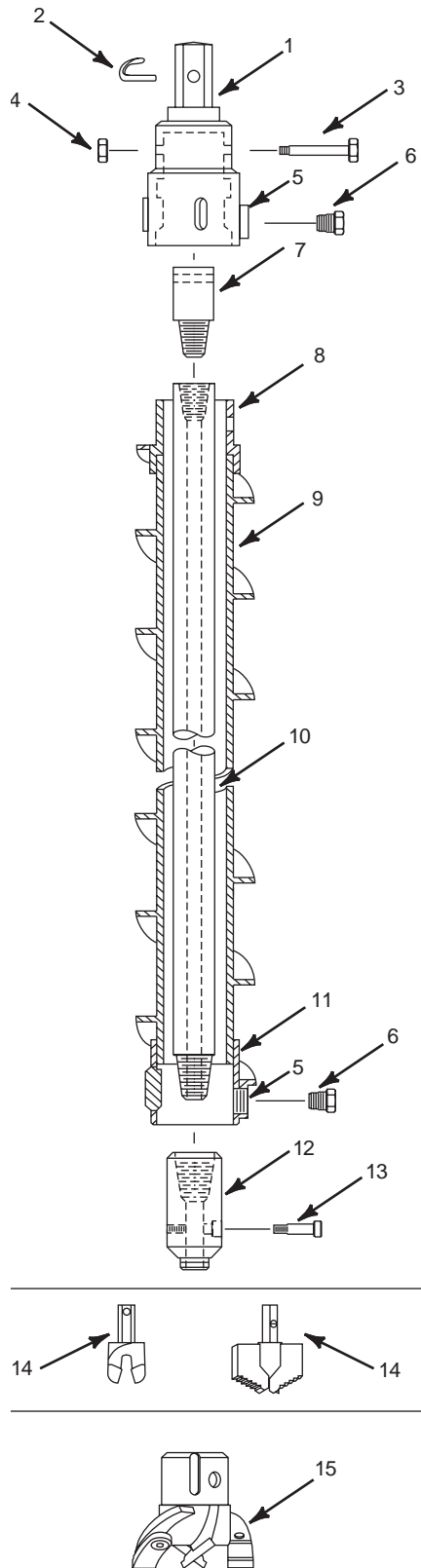
** Other rod-to-cap adapters available upon request.

*** Additional lengths available.

**** Refer to Cutterhead Section on page 14.

HOLLOW STEM AUGERS

6 1/4" - 2 KEY



6 1/4" HOLLOW STEM AUGERS			
ITEM	PART #		DESCRIPTION
	2 KEY (SD)	2 KEY (HD)	
1	1350018	1350045	DRIVE CAP: 1 5/8" HEX
1	1350030	1350033	DRIVE CAP: 2" HEX
2	1301025	1301025	U-PIN 1 1/8" STANDARD*
2	1301000	1301000	U-PIN 1 5/8" STANDARD*
2	1301001	1301001	U-PIN 2" STANDARD*
3	1301080	1301080	ROD-TO-CAP BOLT
4	1301090	1301090	HEX NUT
5	1250051	1250130	REPAIR BUSHING W/OUT FLANGE
6	1301005	1301015	AUGER BOLT
7	1250210	1250210	ADAPTER: AW ROD TO DRIVE CAP**
7	1250088	1250088	ADAPTER: AWJ ROD TO DRIVE CAP**
7	1250215	1250215	ADAPTER: NW ROD TO DRIVE CAP**
7	1250089	1250089	ADAPTER: NWJ ROD TO DRIVE CAP**
8	1250350	1250355	PIN COUPLING, HEAT-TREATED (REPAIR ONLY)
9	1450030	1450029	AUGER SECTION - 5'0. (1.5M)***
10	3050010	3050010	AW CENTER ROD - 5'0 (1.5M)
10	3050000	3050000	AWJ CENTER ROD - 5'0 (1.5M)
10	2150020	2150020	NW CENTER ROD - 5'0 (1.5M)
10	3050020	3050020	NWJ CENTER ROD - 5'0 (1.5M)
11	1250365	1250370	BOX COUPLING (REPAIR ONLY)
12	1250380	1250380	PLUG - 1 1/8" (29MM) HEX TO AW BOX
12	1250385	1250385	PLUG - 1 1/8" (29MM) HEX TO AWJ BOX
12	1250390	1250390	PLUG - 1 1/8" (29MM) HEX TO NW BOX
12	1250395	1250395	PLUG - 1 1/8" (29MM) HEX TO NWJ BOX
13	1250400	1250400	PLUG BOLT
14	1250405	1250405	PILOT BIT, 2-PRONG, 1 1/8" (29MM) HEX
14	1250580	1250580	PILOT BIT, 3-WING, 1 1/8" (29MM) HEX
15	---	---	CUTTERHEADS****

* Other u-pins available. See page 13.

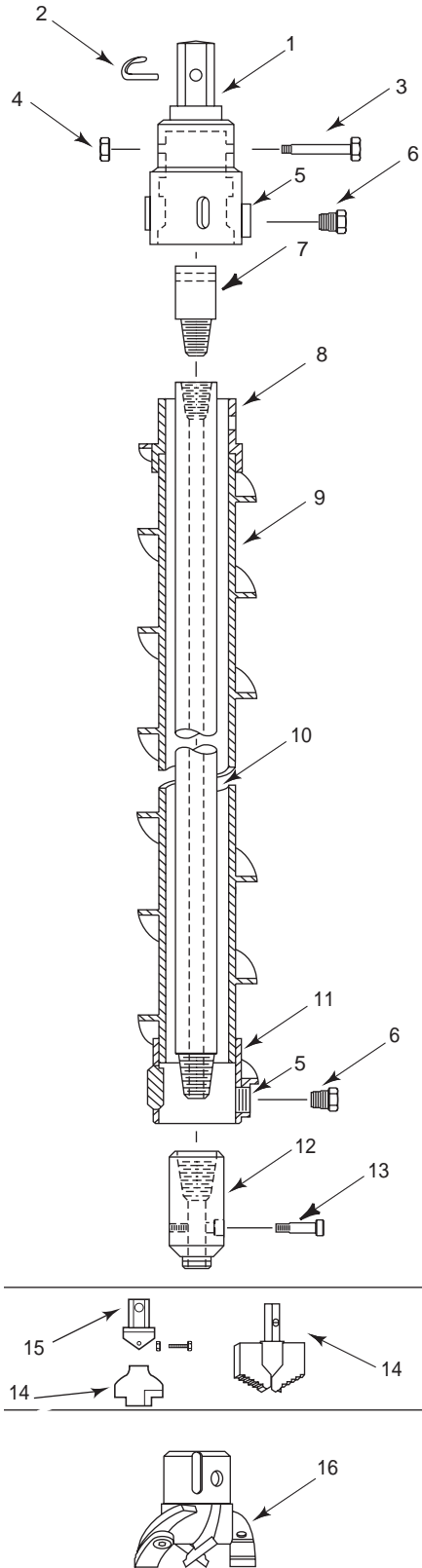
** Other rod-to-cap adapters available upon request.

*** Additional lengths available.

**** Refer to Cutterhead Section on page 14.

HOLLOW STEM AUGERS

6 5/8" - 3 KEY



6 5/8" HOLLOW STEM AUGERS		
ITEM	PART #	DESCRIPTION
	3 KEY (SD)	
1	1350023	DRIVE CAP: 1 5/8" HEX
1	1350050	DRIVE CAP: 2" HEX
2	1301025	U-PIN 1 1/8" STANDARD*
2	1301000	U-PIN 1 5/8" STANDARD*
2	1301001	U-PIN 2" STANDARD*
3	1301085	ROD-TO-CAP BOLT
4	1301095	HEX NUT
5	1250305	REPAIR BUSHING W/OUT FLANGE
6	1301010	AUGER BOLT
7	1250210	ADAPTER: AW ROD TO DRIVE CAP**
7	1250088	ADAPTER: AWJ ROD TO DRIVE CAP**
7	1250215	ADAPTER: NW ROD TO DRIVE CAP**
7	1250089	ADAPTER: NWJ ROD TO DRIVE CAP**
8	1250360	PIN COUPLING, HEAT-TREATED (REPAIR ONLY)
9	1450031	AUGER SECTION - 5'0. (1.5M)***
10	3050010	AW CENTER ROD - 5'0 (1.5M)
10	3050000	AWJ CENTER ROD - 5'0 (1.5M)
10	2150020	NW CENTER ROD - 5'0 (1.5M),
10	3050020	NWJ CENTER ROD - 5'0 (1.5M)
11	1250375	BOX COUPLING (REPAIR ONLY)
12	1250410	PLUG - 1 1/8" (29MM) HEX TO AW BOX
12	1250415	PLUG - 1 1/8" (29MM) HEX TO AWJ BOX
12	1250420	PLUG - 1 1/8" (29MM) HEX TO NW BOX
12	1250425	PLUG - 1 1/8" (29MM) HEX TO NWJ BOX
13	1250430	PLUG BOLT
14	1250435	PILOT BIT, 2-PRONG, 1 1/8" (29MM) HEX
14	1250585	PILOT BIT, 3-WING, 1 1/8" (29MM) HEX
15	1250440	PILOT BIT SHANK, 1 5/8" (41MM) HEX
16	---	CUTTERHEAD****

* Other u-pins available. See page 13.

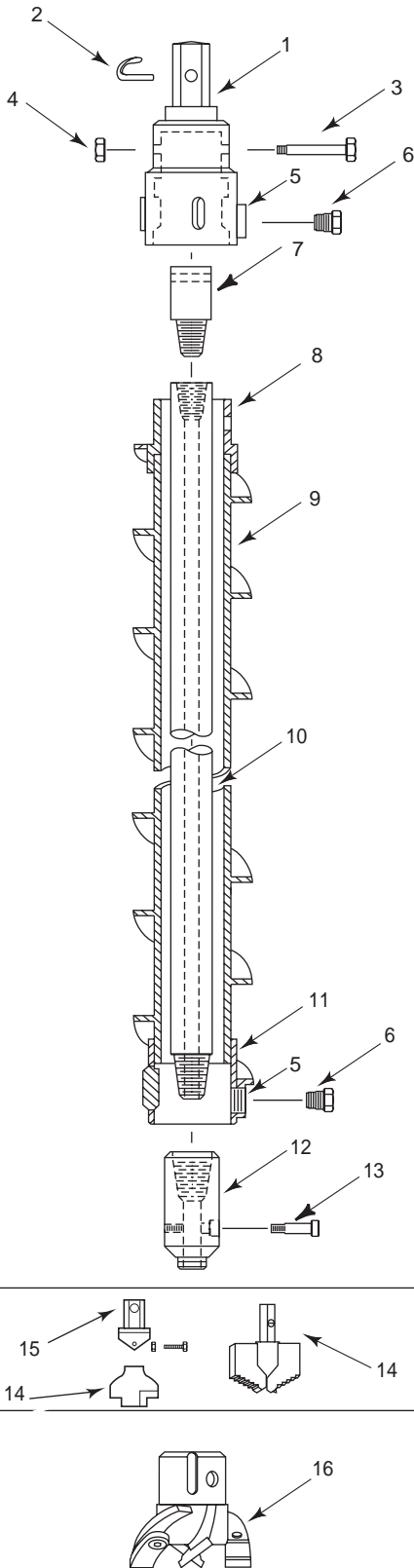
** Other rod-to-cap adapters available upon request.

*** Additional lengths available.

**** Refer to Cutterhead Section on page 14.

HOLLOW STEM AUGERS

8 1/4" - 2 KEY AND 3 KEY



8 1/4" HOLLOW STEM AUGERS			
ITEM	PART #		DESCRIPTION
	2 KEY (HD)	3 KEY (SD)	
1	1350055	1350013	DRIVE CAP: 1 5/8" HEX
1	1350060	1350012	DRIVE CAP: 2" HEX
2	1301025	1301025	U-PIN 1 1/8" STANDARD*
2	1301000	1301000	U-PIN 1 5/8" STANDARD*
2	1301001	1301001	U-PIN 2" STANDARD*
3	1301100	1301100	ROD-TO-CAP BOLT
4	1301105	1301105	HEX NUT
5	1250130	1250305	REPAIR BUSHING W/OUT FLANGE
6	1301016	1301021	AUGER BOLT
7	1250210	1250210	ADAPTER: AW ROD TO DRIVE CAP**
7	1250088	1250088	ADAPTER: AWJ ROD TO DRIVE CAP**
7	1250215	1250215	ADAPTER: NW ROD TO DRIVE CAP**
7	1250089	1250089	ADAPTER: NWJ ROD TO DRIVE CAP**
8	1250450	1250455	PIN COUPLING, HEAT-TREATED (REPAIR ONLY)
9	1450040	1450026	AUGER SECTION - 5'0 (1.5M)***
10	3050010	3050010	AW CENTER ROD - 5'0 (1.5M)
10	3050000	3050000	AWJ CENTER ROD - 5'0 (1.5M)
10	2150020	2150020	NW CENTER ROD - 5'0 (1.5M)
10	3050020	3050020	NWJ CENTER ROD - 5'0 (1.5M)
11	1250465	1250470	BOX COUPLING (REPAIR ONLY)
12	1250475	1250475	PLUG - 1 1/8" (29MM) HEX TO AW BOX
12	1250480	1250480	PLUG - 1 1/8" (29MM) HEX TO AWJ BOX
12	1250485	1250485	PLUG - 1 1/8" (29MM) HEX TO NW BOX
12	1250490	1250490	PLUG - 1 1/8" (29MM) HEX TO NWJ BOX
13	1250495	1250495	PLUG BOLT
14	1250500	1250500	PILOT BIT, 2-PRONG, 1 1/8" (29MM) HEX
14	1250505	1250505	PILOT BIT, 3-WING, 1 1/8" (29MM) HEX
15	1251070	1251070	PILOT BIT SHANK, 1 5/8" (41MM) HEX
16	---	---	CUTTERHEADS****

* Other u-pins available. See page 13.

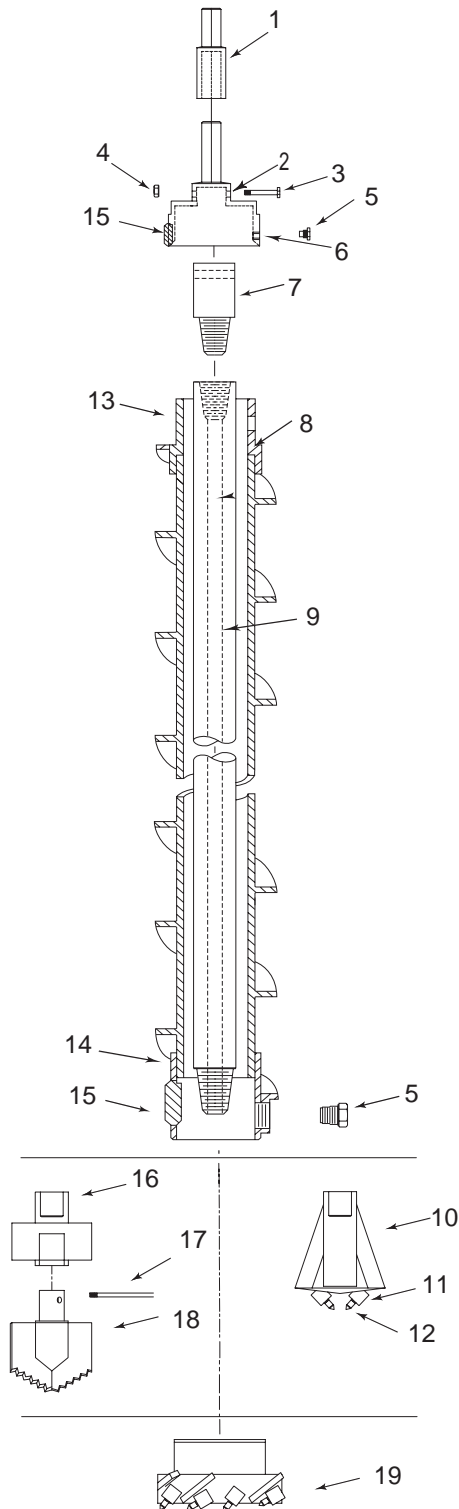
** Other rod-to-cap adapters available upon request.

*** Additional lengths available.

**** Refer to Cutterhead Section on page 14.

HOLLOW STEM AUGERS

10 1/4" - 3 KEY



10 1/4" HOLLOW STEM AUGERS		
ITEM	PART #	DESCRIPTION
	3 KEY (SD)	
1	1250027	ADAPTER AUGER 1 5/8" HEX TO 2" HEX SOCKET
2	1350075	DRIVE CAP 2" HEX
3	1301120	ROD BOLT
4	1301125	ROD NUT
5	1301021	LOCKBOLT-(2 REQ.)
6	1250305	REPAIR BUSHING W/OUT FLANGE
7	1250215	ADAPTER - NW ROD TO DRIVE CAP*
7	1250089	ADAPTER - NWJ ROT TO DRIVE CAP*
8	1450034	AUGER SECTION 5'0" (1.5M)**
9	2150020	NW ROD CENTER ROD 5'0 (1.5M)
	3050020	NWJ ROD CENTER ROD 5'0 (1.5M)
10	1250520	PLUG-PILOT BIT COMBO W/TEN BULLET BITS AND BLOCKS NW ROD
	1250525	PLUG-PILOT BIT COMBO W/TEN BULLET BITS AND BLOCKS NWJ ROD
11	1501015	BIT BLOCK
12	1501010	BULLET BIT
13	1250540	REPAIR PIN
14	1250555	REPAIR BOX
15	1250510	REPAIR KEY
16	1250560	NW ROD BOX CENTER PLUG
	1250565	NWJ ROD BOX CENTER PLUG
17	1250570	PILOT BOLT
18	1250575	3 - WING PILOT BIT
19	---	CUTTERHEADS***

*Rod-to-cap adapter available upon request.

**Additional lengths available.

***Refer to Cutterhead Section on page 14.

HOLLOW STEM AUGER COMPONENTS

Hole Products offers replacement bolts, bushings, and drive keys to fit standard and heavy duty hollow stem augers, ranging in size from 2 1/4" through 10 1/4" with either a 2 key or 3 key drive system.

AUGER BOLTS							
DESCRIPTION	2 1/4" (57 MM)	3 1/4" (83 MM)	4 1/4" (108 MM)	6 1/4" (155 MM)	6 5/8" (168 MM)	8 1/4" (210 MM)	10 1/4" (260 MM)
2 KEY SD	1301005	1301005	1301005	1301005	N/A	N/A	N/A
2 KEY HD	N/A						
3 KEY SD	N/A	1301010	1301010	N/A	1301010	1301021	1301021
BUSHINGS W/ FLANGE							
DESCRIPTION	2 1/4" (57 MM)	3 1/4" (83 MM)	4 1/4" (108 MM)	6 1/4" (155 MM)	6 5/8" (168 MM)	8 1/4" (210 MM)	10 1/4" (260 MM)
2 KEY SD	1250052	1250052	1250052	1250052	N/A	N/A	N/A
3 KEY SD	N/A	1250053	1250053	N/A	1250048	1250895	1250900
BUSHINGS W/ OUT FLANGE							
DESCRIPTION	2 1/4" (57 MM)	3 1/4" (83 MM)	4 1/4" (108 MM)	6 1/4" (155 MM)	6 5/8" (168 MM)	8 1/4" (210 MM)	10 1/4" (260 MM)
2 KEY SD	1250051	1250051	1250051	1250051	N/A	N/A	N/A
2 KEY HD	N/A	1250130	1250130	1250130	N/A	1250130	1250130
3 KEY SD	N/A	1250305	1250305	N/A	1250305	1250305	1250305
DRIVE KEYS							
DESCRIPTION	2 1/4" (57 MM)	3 1/4" (83 MM)	4 1/4" (108 MM)	6 1/4" (155 MM)	6 5/8" (168 MM)	8 1/4" (210 MM)	10 1/4" (260 MM)
2 KEY SD	1250065	1250065	1250065	1250065	N/A	N/A	N/A
2 KEY HD	N/A	1250048	1250048	1250048	N/A	1250048	1250048
3 KEY SD	N/A	1250092	1250092	N/A	1250092	1250094	1250094



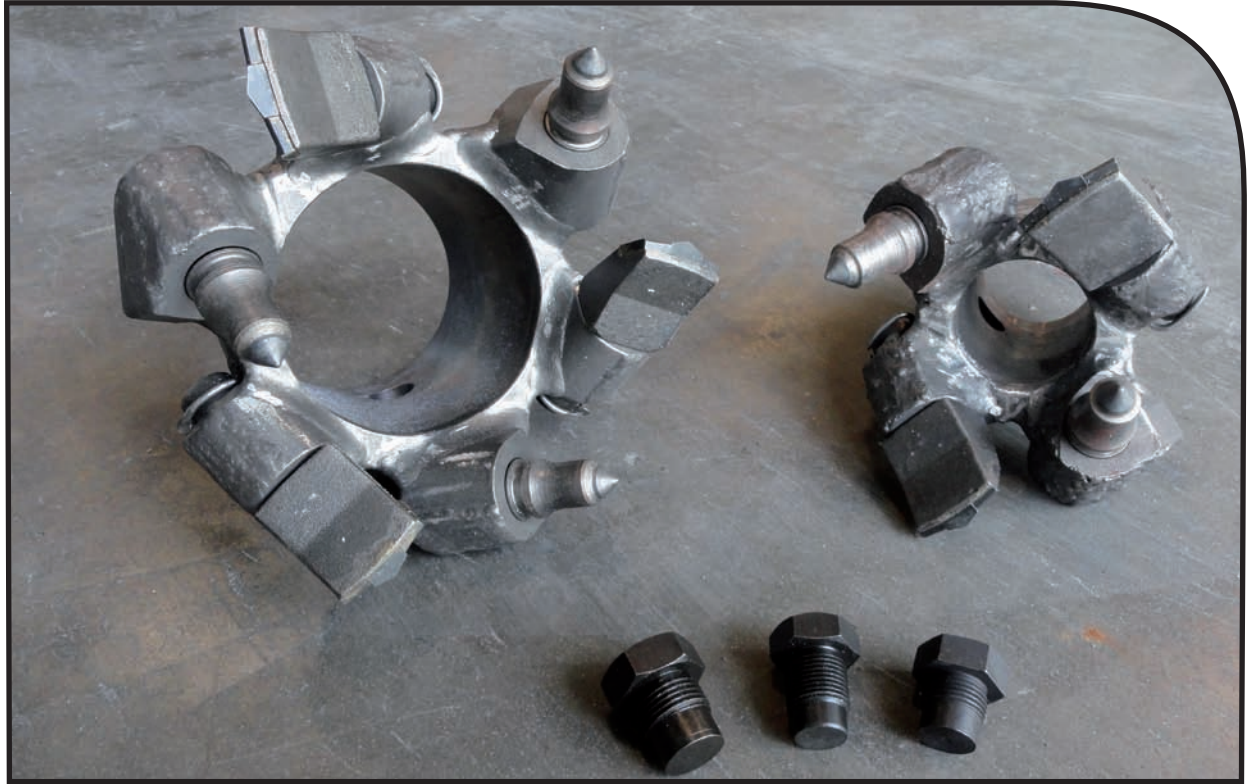
U-PINS

U-pins are available in standard and long styles ranging in hex size from 13/16" through 2". Special sizes are available upon request.

U-PINS			
DESCRIPTION	MEASUREMENTS		PART #
	LENGTH	O.D.	
13/16" HEX - STANDARD	1 9/16"	3/8"	1301027
1 1/8" HEX - STANDARD	2"	1/2"	1301025
1 5/8" HEX - STANDARD	2 3/8"	5/8"	1301000
2" HEX - STANDARD	3 7/16"	5/8"	1301001
1 5/8" HEX - LONG	2 3/4"	5/8"	1301003



HOLLOW STEM AUGER CUTTERHEADS



Hole Products offers a complete line of tough, quality built, hollow stem auger cutterheads and cutterhead components suitable for drilling in a variety of formations.

Please refer to the specific cutterhead section for details regarding their effectiveness in a particular formation.

Additional cutterhead styles including Diedrich and Acker octagonal style are available upon request.

Please contact your Hole Products representative for additional information and assistance selecting the cutterhead for your specific drilling conditions.

5-T CUTTERHEADS

5-T cutterheads feature carbide tipped square finger cutters, which are most effective in hard compacted clay formations.



2 KEY STANDARD CUTTERHEAD							
DESCRIPTION	2 1/4"	3 1/4"	4 1/4"	6 1/4"	6 5/8"	8 1/4"	10 1/4"
COMPLETE CUTTERHEAD UNIT	1400010	1400020	1400030	1400310	N/A	N/A	N/A
2 KEY HEAVY DUTY CUTTERHEAD							
DESCRIPTION	2 1/4"	3 1/4"	4 1/4"	6 1/4"	6 5/8"	8 1/4"	10 1/4"
COMPLETE CUTTERHEAD UNIT	N/A	1400026	1400042	1400325	N/A	1400330	1400335
3 KEY STANDARD CUTTERHEAD							
DESCRIPTION	2 1/4"	3 1/4"	4 1/4"	6 1/4"	6 5/8"	8 1/4"	10 1/4"
COMPLETE CUTTERHEAD UNIT	N/A	1400033	1400031	N/A	1400340	1400345	1400350

NUMBER OF PARTS REQUIRED FOR CUTTERHEADS								
DESCRIPTION	PART #	2 1/4"	3 1/4"	4 1/4"	6 1/4"	6 5/8"	8 1/4"	10 1/4"
5-T CARBIDE TEETH	1501005	4	4	4	6	6	6	8
5-T BLOCK - ANGLED	1501024	2	2	2	3	3	3	4
5-T BLOCK - STRAIGHT	1501025	2	2	2	3	3	3	4

BULLET CUTTERHEADS

Bullet cutterheads feature carbide-tipped round cutters, which are most effective in medium to hard formations such as hard clay, sandstone, limestone, gravel, cobbles, and shale.



2 KEY STANDARD CUTTERHEAD							
DESCRIPTION	2 1/4"	3 1/4"	4 1/4"	6 1/4"	6 5/8"	8 1/4"	10 1/4"
COMPLETE CUTTERHEAD UNIT	1400005	1400015	1400035	1400051	N/A	N/A	N/A
2 KEY HEAVY DUTY CUTTERHEAD							
DESCRIPTION	2 1/4"	3 1/4"	4 1/4"	6 1/4"	6 5/8"	8 1/4"	10 1/4"
COMPLETE CUTTERHEAD UNIT	N/A	1400027	1400047	1400285	N/A	1400290	N/A
3 KEY STANDARD CUTTERHEAD							
DESCRIPTION	2 1/4"	3 1/4"	4 1/4"	6 1/4"	6 5/8"	8 1/4"	10 1/4"
COMPLETE CUTTERHEAD UNIT	N/A	1400029	1400044	N/A	1400052	1400300	1400305

NUMBER OF PARTS REQUIRED FOR CUTTERHEADS								
DESCRIPTION	PART #	2 1/4"	3 1/4"	4 1/4"	6 1/4"	6 5/8"	8 1/4"	10 1/4"
BULLET CUTTERS	1501010	4	4	6	8	8	10	10
BULLET BLOCKS	1501015	4	4	6	8	8	10	10

SPADE CUTTERHEADS

Spade cutterheads feature carbide-tipped spade cutters, which are most effective in soft to medium formations such as clay, hard sandstone, and light to medium shale.



2 KEY STANDARD CUTTERHEAD							
DESCRIPTION	2 1/4"	3 1/4"	4 1/4"	6 1/4"	6 5/8"	8 1/4"	10 1/4"
COMPLETE CUTTERHEAD UNIT	1400195	1400200	1400205	1400210	N/A	N/A	N/A
2 KEY HEAVY DUTY CUTTERHEAD							
DESCRIPTION	2 1/4"	3 1/4"	4 1/4"	6 1/4"	6 5/8"	8 1/4"	10 1/4"
COMPLETE CUTTERHEAD UNIT	N/A	1400225	1400230	1400235	N/A	1400240	N/A
3 KEY STANDARD CUTTERHEAD							
DESCRIPTION	2 1/4"	3 1/4"	4 1/4"	6 1/4"	6 5/8"	8 1/4"	10 1/4"
COMPLETE CUTTERHEAD UNIT	N/A	1400250	1400255	N/A	1400260	1400265	1400270

NUMBER OF PARTS REQUIRED FOR CUTTERHEADS								
DESCRIPTION	PART #	2 1/4"	3 1/4"	4 1/4"	6 1/4"	6 5/8"	8 1/4"	10 1/4"
SPADE CUTTERS - C87	1501021	2	3	4	5	5	5	8
SPADE BLOCKS - C87	1501022	2	3	4	5	5	5	8

BLADE CUTTERHEADS

Blade cutterheads feature carbide-tipped blade cutters, which are most effective in soft to medium/soft formations such as dirt, clay, mild sandstone, and light shale.



2 KEY STANDARD CUTTERHEAD							
DESCRIPTION	2 1/4"	3 1/4"	4 1/4"	6 1/4"	6 5/8"	8 1/4"	10 1/4"
COMPLETE CUTTERHEAD UNIT	1400115	1400120	1400125	1400130	N/A	N/A	N/A
2 KEY HEAVY DUTY CUTTERHEAD							
DESCRIPTION	2 1/4"	3 1/4"	4 1/4"	6 1/4"	6 5/8"	8 1/4"	10 1/4"
COMPLETE CUTTERHEAD UNIT	N/A	1400145	1400150	1400155	N/A	1400160	N/A
3 KEY STANDARD CUTTERHEAD							
DESCRIPTION	2 1/4"	3 1/4"	4 1/4"	6 1/4"	6 5/8"	8 1/4"	10 1/4"
COMPLETE CUTTERHEAD UNIT	N/A	1400170	1400175	N/A	1400180	1400185	1400190

NUMBER OF PARTS REQUIRED FOR CUTTERHEADS								
DESCRIPTION	PART #	2 1/4"	3 1/4"	4 1/4"	6 1/4"	6 5/8"	8 1/4"	10 1/4"
BLADE CUTTERS	1501030	2	3	4	4	5	6	8
BLADE CUTTER BOLTS	1501035	2	3	4	4	5	6	8

SPADE/BULLET CUTTERHEADS

Spade/bullet cutterheads are most effective in soft to medium/hard formations such as clay, sandstone, hard shale, and soft limestone.



2 KEY STANDARD CUTTERHEAD							
DESCRIPTION	2 1/4"	3 1/4"	4 1/4"	6 1/4"	6 5/8"	8 1/4"	10 1/4"
COMPLETE CUTTERHEAD UNIT	1400006	1400083	1400040	1400050	N/A	N/A	N/A
2 KEY HEAVY DUTY CUTTERHEAD							
DESCRIPTION	2 1/4"	3 1/4"	4 1/4"	6 1/4"	6 5/8"	8 1/4"	10 1/4"
COMPLETE CUTTERHEAD UNIT	N/A	1400080	1400041	1400435	N/A	1400055	N/A
3 KEY STANDARD CUTTERHEAD							
DESCRIPTION	2 1/4"	3 1/4"	4 1/4"	6 1/4"	6 5/8"	8 1/4"	10 1/4"
COMPLETE CUTTERHEAD UNIT	N/A	1400025	1400060	N/A	1400445	1400056	1400450

NUMBER OF PARTS REQUIRED FOR CUTTERHEADS								
DESCRIPTION	PART #	2 1/4"	3 1/4"	4 1/4"	6 1/4"	6 5/8"	8 1/4"	10 1/4"
SPADE CUTTERS - C87	1501021	2	2	3	4	4	4	5
SPADE BLOCKS - C87	1501022	2	2	3	4	4	4	5
BULLET CUTTER - C23	1501010	2	2	3	4	4	4	5
BULLET BLOCK - C20	1501015	2	2	3	4	4	4	5

BLADE/BULLET CUTTERHEADS

Blade/Bullet cutterheads are most effective in soft to medium formations such as clay, hard sandstone, and hard shale.



2 KEY STANDARD CUTTERHEAD							
DESCRIPTION	2 1/4"	3 1/4"	4 1/4"	6 1/4"	6 5/8"	8 1/4"	10 1/4"
COMPLETE CUTTERHEAD UNIT	N/A	1400355	1400360	1400365	N/A	N/A	N/A
2 KEY HEAVY DUTY CUTTERHEAD							
DESCRIPTION	2 1/4"	3 1/4"	4 1/4"	6 1/4"	6 5/8"	8 1/4"	10 1/4"
COMPLETE CUTTERHEAD UNIT	N/A	1400380	1400385	1400390	N/A	1400400	N/A
3 KEY STANDARD CUTTERHEAD							
DESCRIPTION	2 1/4"	3 1/4"	4 1/4"	6 1/4"	6 5/8"	8 1/4"	10 1/4"
COMPLETE CUTTERHEAD UNIT	N/A	1400028	1400017	N/A	1400410	1400415	1400420

NUMBER OF PARTS REQUIRED FOR CUTTERHEADS								
DESCRIPTION	PART #	2 1/4"	3 1/4"	4 1/4"	6 1/4"	6 5/8"	8 1/4"	10 1/4"
BLADE CUTTERS	1501030	N/A	2	3	4	4	5	6
BLADE CUTTER BOLTS	1501035	N/A	2	3	4	4	5	6
BULLET CUTTERS	1501010	N/A	2	3	4	4	5	6
BULLET BLOCKS	1501015	N/A	2	3	4	4	5	6

G.E.T. CUTTERHEADS

The bulldozer of the cutterhead world and designed to handle the toughest drilling conditions, G.E.T.s feature carbide reinforced cutting surfaces and field replaceable blades. Due to the design, cuttings are fed quickly up the augers, eliminating slough in the bottom of the hole. In addition, G.E.T.s can be fitted with a carbide center bit for fast and accurate starts on concrete and asphalt.


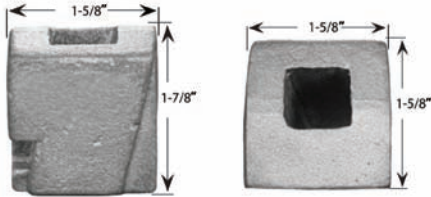
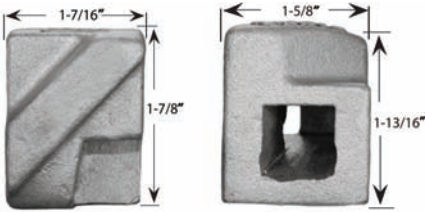
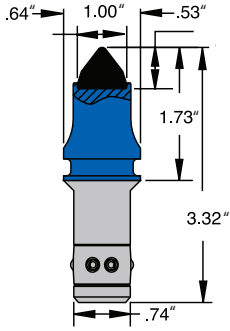
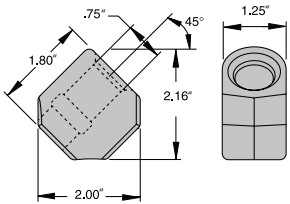
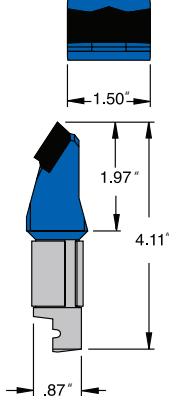
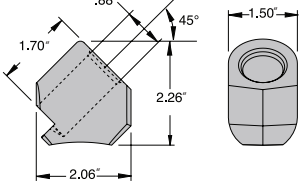
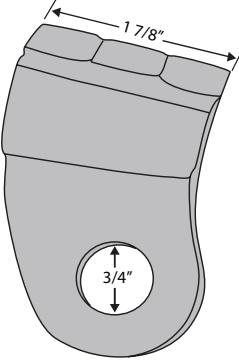






2 KEY STANDARD CUTTERHEAD					
DESCRIPTION	2 1/4"	3 1/4"	3 3/4"	4 1/4"	6 1/4"
COMPLETE CUTTERHEAD UNIT	1400500	1400505	1400530	1400540	1400565
BODY	1400070	1400075	1400074	1400077	1400590
2 KEY HEAVY DUTY CUTTERHEAD					
DESCRIPTION	2 1/4"	3 1/4"	3 3/4"	4 1/4"	6 1/4"
COMPLETE CUTTERHEAD UNIT	N/A	1400510	1400535	1400545	1400570
BODY	N/A	1400079	1400086	1400078	1400595
3 KEY STANDARD CUTTERHEAD					
DESCRIPTION	2 1/4"	3 1/4"	3 3/4"	4 1/4"	6 5/8"
COMPLETE CUTTERHEAD UNIT	N/A	1400515	-----	1400550	1400575
BODY	N/A	1400081	-----	1400100	1400600
DD CUTTERHEAD					
DESCRIPTION	2 1/4"	3 1/4"	3 3/4"	4 1/4"	6 1/4"
COMPLETE CUTTERHEAD UNIT	N/A	1400520	-----	1400555	1400580
BODY	N/A	1400072	-----	1400605	1400610
OCTAGONAL CUTTERHEAD					
DESCRIPTION	2 1/4"	3 1/4"	3 3/4"	4 1/4"	6 1/4"
COMPLETE CUTTERHEAD UNIT	N/A	1400525	-----	1400560	1400585
BODY	N/A	1400615	-----	1400620	1400625

NUMBER OF PARTS REQUIRED FOR CUTTERHEADS						
DESCRIPTION	PART #	2 1/4"	3 1/4"	3 3/4"	4 1/4"	6 1/4"
FLIGHT BIT	4750055	2	3	3	3	3
NUT, FLIGHT BIT	1301030	2	3	3	3	3
BOLT, FLIGHT BIT	1301020	2	3	3	3	3

OPTIONAL PARTS REQUIRED FOR CUTTERHEADS					
DESCRIPTION	2 1/4"	3 1/4"	3 3/4"	4 1/4"	6 1/4"
DRIVE PLATE, CENTER BIT	1250190	1250141	1250185	1250118	1250195
CUTTER, CENTER BIT	1501075	1501051	1501049	1501049	1501080
BOLTS, CENTER BIT	1501052	1501052	1501052	1501052	1501052

REPLACEMENT CUTTERS & BLOCKS

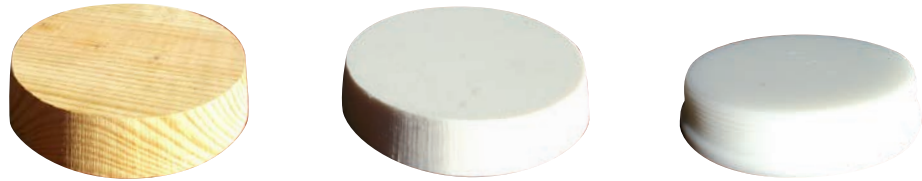
5-T CARBIDE TEETH	5-T BLOCK - ANGLED		5-T BLOCK - STRAIGHT	
#1501005	#1501024		#1501025	
				
BULLET CUTTER - C23	BULLET BLOCK - C20	SPADE CUTTERS - C87	SPADE BLOCK - C87B-I	
#1501010	#1501015	#1501021	#1501022	
				
BLADE CUTTERS	BLADE CUTTER BOLTS	G.E.T. FLIGHT BIT	G.E.T. NUT FLIGHT BIT	G.E.T. BOLT FLIGHT BIT
#1501030	#1501035	#4750055	#1301030	#1301020
				

**Other sizes and configurations of cutters & blocks available upon request.*

HOLLOW STEM AUGER ACCESSORIES

AUGER PLUGS

For applications not requiring sampling, a knock out plug can be inserted into the end of the cutterhead to advance the borehole and eliminate the use of drill rods. When the desired hole depth is achieved, the plug may be knocked out of the bottom of the auger string to allow for well installation.

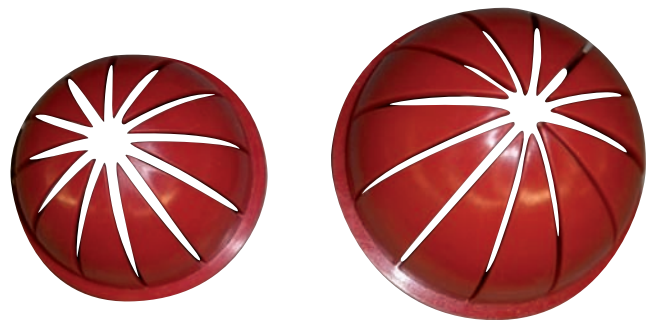


AUGER PLUGS				
AUGER I.D.		WOOD	BEVELLED HDPE	LIPPED HDPE
IN	MM			
2 1/4"	57	1250030	1250625	1250600
3 1/4"	83	1250035	1250005	1250605
4 1/4"	108	1250040	1250010	1250009
6 1/4"	159	1250045	1250015	1250016
6 5/8"	168	1250046	1250153	1250610
8 1/4"	210	1250021	1250020	1250615
10 1/4"	260	1250008	1250160	1250620

FLEX PLUGS

Flex Plugs can be used to prevent water bearing sands from entering the hollow stem auger I.D. during drilling, while continuing to allow for the sampling tube to pass through.

FLEX PLUGS		
AUGER I.D.		PART #
IN	MM	
2 1/4"	57	1250109
3 1/4"	83	1250110
4 1/4"	108	1250071
6 1/4"	155	1250073
6 5/8"	168	1250630



AUGER FORKS

Auger forks are used to temporarily support hollow stem augers during removal of the drill string. Designs may vary from photo.

AUGER FORKS		
O.D		PART #
IN	MM	
2 1/4"	57	1250085
3 1/4"	83	1250095
4 1/4"	108	1250096
6 1/4"	159	1250635
6 5/8"	168	1250106
8 1/4"	210	1250080
10 1/4"	260	1250640

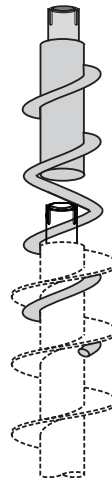


AUGER RETRIEVERS

Auger retrievers are used for recovering hollow stem augers lost down the hole.

Outside type auger retrievers are designed to wrap around hollow stem augers and grasp the auger flights.

Internal type auger taps available on request.



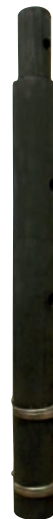
AUGER RETRIEVERS			
I.D.*		2 KEY SD**	3 KEY SD**
IN	MM		
2 1/4"	57	1250122	1250670
3 1/4"	83	1250645	1251020
4 1/4"	108	1250650	1250675
6 1/4"	159	1251005	N/A
6 5/8"	168	N/A	1250685
8 1/4"	210	1250660	1250690
10 1/4"	260	-----	1250695

*Sizes identified by the auger I.D.

**HD auger retrievers available on request.

ADJUSTABLE HEX EXTENSIONS

Designed to extend augers, hex extension rods are used to compensate for the drill base height above the ground. Hex extension are adjustable from 24" through 36".



ADJUSTABLE HEX EXTENSIONS		
HEX		PART #
IN	MM	
1 1/8"	29	4050032
1 5/8"	41	4050030
2"	51	4050008

AUGER HOOKS

Auger hooks fit into the lock bolt hole of the hollow stem auger. They provide a fast and easy method for handling augers.



AUGER HOOKS*	
DESCRIPTION	PART #
AUGER HOOK	5160035

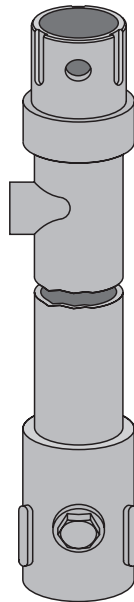
**Not designed for pulling augers.*

WASH TEE

Used for mud rotary drilling, the hollow stem auger wash tee simplifies the recovery of circulation fluid by providing a return port directly to the recirculation tank. Wash tee tool joints match auger tool joints. Sizes are identified by hollow stem auger I.D.

Wash tees are available to fit all hollow stem augers offered at Hole Products.

Please contact your Hole Products representative for ordering details.

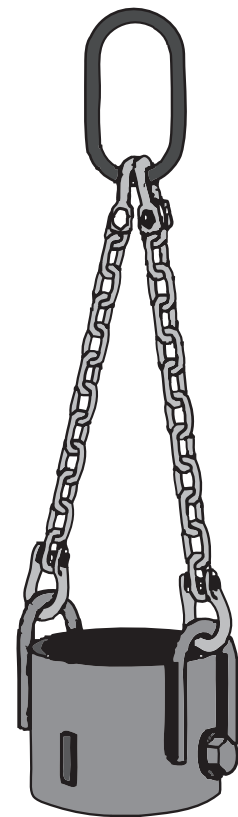


HOISTING ASSEMBLY

Hollow stem auger hoisting assemblies are used to pull more than one hollow stem auger section at a time utilizing the rigs main hoist. During well installation, this allows the driller to pull and back fill more than five feet at a time.

Hoisting assemblies are available to fit all hollow stem augers offered at Hole Products.

Please contact your Hole Products representative for ordering details.



CONTINUOUS FLIGHT AUGERS



Overview:

Solid flight augers are commonly used in the mining, geotechnical, and construction drilling markets. When rotated into the ground, the continuous auger flights convey the material to the surface where they can be analyzed as necessary. Additional auger sections are connected to one another using a hex style coupling and u-pin to advance the drill string to the desired depth. In harder ground formations, the hole may remain open after the augers are removed, thus allowing work to commence inside the open hole.

Drilling:

Continuous flight augers are combined with a cutterhead to advance the auger string into the ground. The cutterhead is designed to shave away at the formation, while the flight augers convey the material to the surface. The cutterhead is attached to the flight auger with a standard shank and socket connection, and held in place with a u-pin. When the desired hole depth is achieved, the auger string is simply rotated out of the hole.

CONTINUOUS FLIGHT AUGERS

Hole Products offers rugged continuous flight augers in five foot lengths (custom and meter lengths available), sizes ranging from 2 1/2" through 12" (special sizes available) and with hex sizes 13/16", 1 1/8" and 1 5/8". **Continuous flight augers are identified by the hole size.**

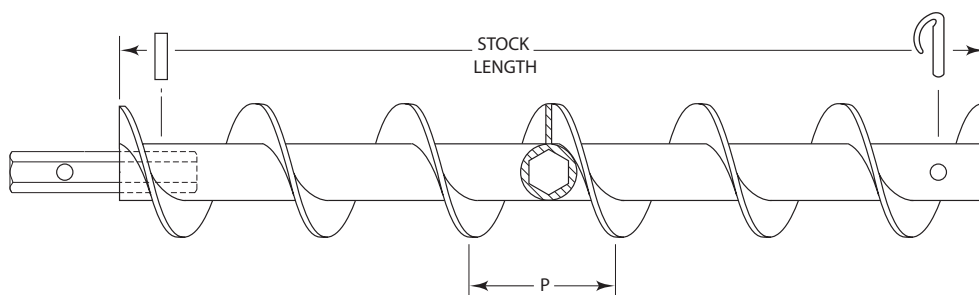
All continuous flight augers are manufactured using the highest quality steels and feature hard faced flight edges to ensure performance and longevity in even the most demanding drilling conditions.

Continuous flight auger sections feature field replaceable hex shanks and come standard with a u-pin.

Please contact your Hole Products representative for additional details and availability of custom auger sizes and lengths.

HEX CONTINUOUS FLIGHT AUGERS												
HOLE SIZE		AUGER DIAMETER		HEX CONN.		PITCH (P)		STOCK LENGTH		STOCK WEIGHT		PART #
IN	MM	IN	MM	IN	MM	IN	MM	FT	M	LB	KG	
2 1/2"	64	2 3/8"	60	13/16"	21	2"	51	5'	1.5	18	8.2	1550012
3"	76	2 5/8"	67	13/16"	21	2"	51	5'	1.5	22	10.0	1550020
3 1/2"	89	3 1/4"	83	1 1/8"	29	3 1/3"	85	5'	1.5	30	13.6	1550003
4 1/2"	114	4"	102	1 1/8"	29	3 1/3"	85	5'	1.5	34	15.4	1550006
4 1/2"	114	4"	102	1 5/8"	41	3 1/3"	85	5'	1.5	54	24.5	1550005
5"	127	4 1/2"	114	1 1/8"	29	4"	102	5'	1.5	36	16.3	1550115
5"	127	4 1/2"	114	1 5/8"	41	4"	102	5'	1.5	54	24.5	1550001
6"	152	5 1/2"	140	1 1/8"	29	5"	127	5'	1.5	40	18.1	1550030
6"	152	5 1/2"	140	1 5/8"	41	5"	127	5'	1.5	58	26.3	1550007
7"	178	6"	152	1 5/8"	41	5"	127	5'	1.5	64	29.0	N/A
8"	203	7"	178	1 5/8"	41	7"	178	5'	1.5	72	32.7	1550040
10"	254	8 1/2"	225	1 5/8"	41	7"	178	5'	1.5	---	---	1550045
12"	305	10"	254	1 5/8"	41	8"	203	5'	1.5	---	---	1550015

Note: Additional lengths available.



CONTINUOUS FLIGHT AUGER COMPONENTS

Repair shanks allow for replacement of just the shank, versus replacing the entire auger. Shanks, groove pins, and u-pins are manufactured using cold drawn 4140 steel and are heat treated to ensure durability. Weldable repair shanks and sockets are available on request.

CONTINUOUS FLIGHT AUGER COMPONENTS				
ITEM #	DESCRIPTION	HEX SIZE		PART #
		IN	MM	
1	U-PIN	13/16"	21	1301027
1	U-PIN	1 1/8"	29	1301025
1	U-PIN	1 5/8"	41	1301000
2	REPAIR SHANK	13/16"	21	1250700
2	REPAIR SHANK	1 1/8"	29	1250705
2	REPAIR SHANK	1 5/8"	41	1250086
3	GROOVE PIN	13/16"	21	1250710
3	GROOVE PIN	1 1/8"	29	1250715
3	GROOVE PIN	1 5/8"	41	1250720



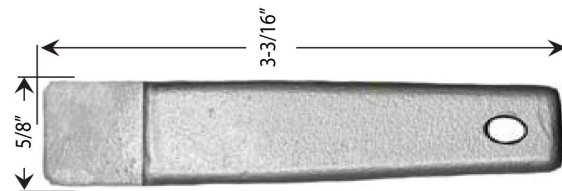
FINGER BIT CUTTERHEAD

Finger bit cutterheads come standard with tungsten carbide bits and are suitable for abrasive conditions and light to moderate soil formations such as silt, sand, fine gravel, and shale. **Cutterhead sizes are identified by the hole size, not the actual flight diameter.**



COMPLETE FINGER BIT CUTTERHEAD								
HEX CONN.	HOLE SIZE							
	3 1/2"	4 1/2"	5"	6"	7"	8"	10"	12"
1 1/8" HEX	1400018	1400002	1400004	1400640	-----	-----	-----	-----
1 5/8" HEX	-----	1400000	1400011	1400680	1400690	1400685	1400695	1400700
2" HEX	-----	-----	-----	1400094	-----	1400735	1400740	1400745

REPLACEMENT FINGER BIT	
DESCRIPTION	PART #
STANDARD 5T BIT (Oval Hole)	1501045



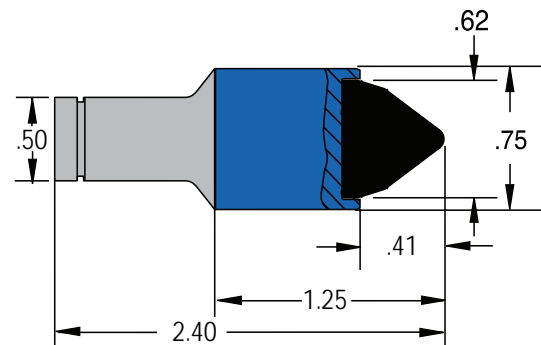
BULLDOG CUTTERHEAD

Stong, durable multi-purpose auger head used in a wide range of drilling applications. Bits are designed to revolve during the cutting action for a more uniform wear pattern and longer performance. They are recommended for abrasive conditions and difficult hard formations. **Cutterhead sizes are identified by the hole size, not the actual flight diameter.**



COMPLETE BULLDOG CUTTERHEAD		
HEX CONN.	HOLE SIZE	
	4 1/2"	6"
1 1/8" HEX	1400014	1400084
1 5/8" HEX	1400001	1400085
2" HEX	-----	1400087
NO OF BITS / HEAD	6	8

REPLACEMENT BIT	
DESCRIPTION	PART #
CARBIDE INSERT BIT	1501050



FISHTAIL CUTTERHEAD

Fishtail cutterheads are designed for drilling straight holes through semi-consolidated formations including sand, silt, gravel, and clay. Complete assemblies include bit and shank. Replacement bits and shanks are available. **Cutterhead sizes are identified by the hole size, not the actual flight diameter.**



COMPLETE FISHTAIL CUTTERHEAD W/ STANDARD TIP										
HEX CONN.	HOLE SIZE									
	2 1/2"	3"	3 1/2"	4 1/2"	5"	6"	7"	8"	10"	12"
13/16" HEX	1400790	1400795	-----	-----	-----	-----	-----	-----	-----	-----
1 1/8" HEX	1400750	1400755	1250163	1250101	1400760	1400765	-----	-----	-----	-----
1 5/8" HEX	-----	-----	-----	1400805	1400810	1400815	1400820	1400825	1400830	1400835
2" HEX	-----	-----	-----	-----	-----	1400865	-----	1400875	1400880	1400885

STANDARD TIP - BIT ONLY										
HOLE SIZE	2 1/2"	3"	3 1/2"	4 1/2"	5"	6"	7"	8"	10"	12"
PART #	1251025	1251030	1251035	1250101	1251040	1251045	1251050	1251055	1251060	1251065

CARBIDE TIP - BIT ONLY										
HOLE SIZE	2 1/2"	3"	3 1/2"	4 1/2"	5"	6"	7"	8"	10"	12"
PART #	1250725	1250730	1250108	1250055	1250735	1250167	1250740	250028	1250745	1250750

SHANK ONLY				
HEX	13/16"	1 1/8"	1 5/8"	2"
PART #	1250755	1250760	1250765	1250770

MINING BIT

Tungsten carbide insert bit prongs maximize penetration and minimize machine load. Bits are recommended for medium hard non-uniform formations. Bits perform well in small bore horizontal or vertical holes. **Bit sizes are identified by the hole size, not the actual flight diameter.**



COMPLETE MINING BIT CUTTERHEAD				
HEX CONN.	HOLE SIZE			
	2"	2 1/2"	3"	3 1/2"
13/16" HEX	1250255	1400012	1250261	1250263
1 1/8" HEX	-----	-----	1251010	1250258

CONTINUOUS FLIGHT AUGER ACCESSORIES

AUGER FORKS

Auger forks are used to temporarily support continuous flight augers during removal of the drill string. Designs may vary from photo.

CONTINUOUS FLIGHT AUGER FORKS		
I.D.		PART #
IN	MM	
3"	76	1250775
4"	102	1250081
4 1/2"	114	1250780
6"	152	1250785
8"	203	1250131



HOISTING CAPS

Auger hoisting caps are used to pull more than one continuous flight auger section at a time using the rigs main hoist.

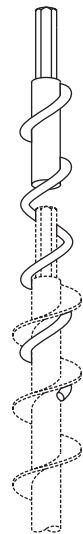


CONTINUOUS FLIGHT HOISTING CAPS		
HEX		PART #
IN	MM	
13/16"	21	5050115
1 1/8"	29	5050036
1 5/8"	41	5050035
2"	51	5050037

AUGER RETRIEVERS

Auger retrievers are used for recovering continuous flight augers lost down the hole.

Outside type auger retrievers are designed to wrap around augers and grasp the auger flights. **Sizes are identified by the hole size.**



CONTINUOUS FLIGHT AUGER RETRIEVERS			
HEX		HOLE SIZE	PART #
IN	MM		
13/16"	21	2 1/2"	1550055
13/16"	21	3"	1550060
1 1/8"	29	3 1/2"	1550065
1 1/8"	29	4 1/2"	1550070
1 1/8"	29	5"	1550075
1 1/8"	29	6"	1550080
1 5/8"	41	4 1/2"	1550008
1 5/8"	41	5"	1550085
1 5/8"	41	6"	1550090
1 5/8"	41	7"	1550095
1 5/8"	41	8"	1550100
1 5/8"	41	10"	1550105
1 5/8"	41	12"	1550110

OTHER ACCESSORIES

AUGER ADAPTERS

Hole Products offers a large selection of quality auger adapters in hex sizes ranging from 13/16" through 2". Additional adapters including hex x round bar and custom designs are available on request.

HEX PIN X HEX BOX					
PIN		BOX			
IN	MM	13/16"	1 1/8"	1 5/8"	2"
1 1/8"	29	1250790	1250805	1250815	1250820
1 5/8"	41	1250795	1250075	1250076	1250027
2"	51	1250800	1250810	1250027	1250825

HEX BOX X HEX BOX					
BOX		BOX			
IN	MM	13/16"	1 1/8"	1 5/8"	2"
1 1/8"	29	1250830	1250840	1250845	1250870
1 5/8"	41	1250144	1250845	1250860	1251015
2"	51	1250835	1250870	1251015	1250875



HAMMERS

Hole Products offers a variety of hammers for use on auger drilling operations.

HAMMERS	
DESCRIPTION	PART #
ROCK PICK HAMMER	1250099
DRILLING HAMMER 2 LB	1250104
DEAD BLOW HAMMER	1250107
DRIVE PIN HAMMER	1250165



STEMMING PLUGS

Hole Products offers a variety of tough, durable, stemming plugs fabricated of high density polyethylene. Stemming plugs provide an easy way of pre-sealing and/or plugging auger, diamond core, and blast hole borings.

STEMMING PLUG	
DIAMETER OF PLUG	PART #
3" - 4 1/2"	1250132
8"	1250120
13"	1250124



STEEL DOT DRUMS

Hole Products offers a variety of sizes and styles of new and reconditioned steel drums, ideal for containing, storing, and transporting hazardous or non-hazardous materials. All drums comply with Title 49 CFR, and are UN approved.

Open Head Drums feature a removable top, gasket, and a 12 gauge bolt ring.

Closed Head Drums feature two bung openings; one for filling and one for venting.

Additional sizes, styles, and speciality drums are available on request.

Please contact your Hole Products representative for details.



STEEL DOT DRUMS		
PART #	SIZE	DESCRIPTION
4170001	55 GAL	NEW - OPEN HEAD
4170016	55 GAL	NEW - CLOSED HEAD
4170015	55 GAL	RECONDITIONED - OPEN HEAD